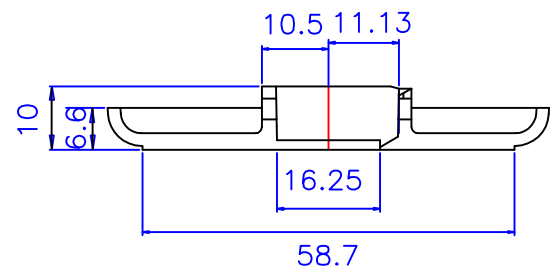
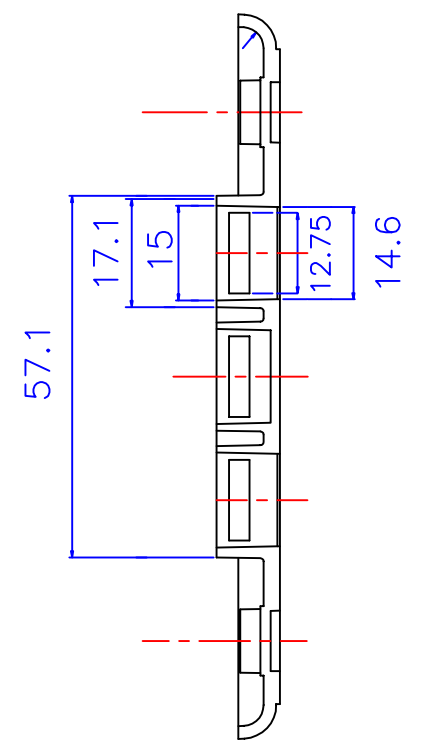
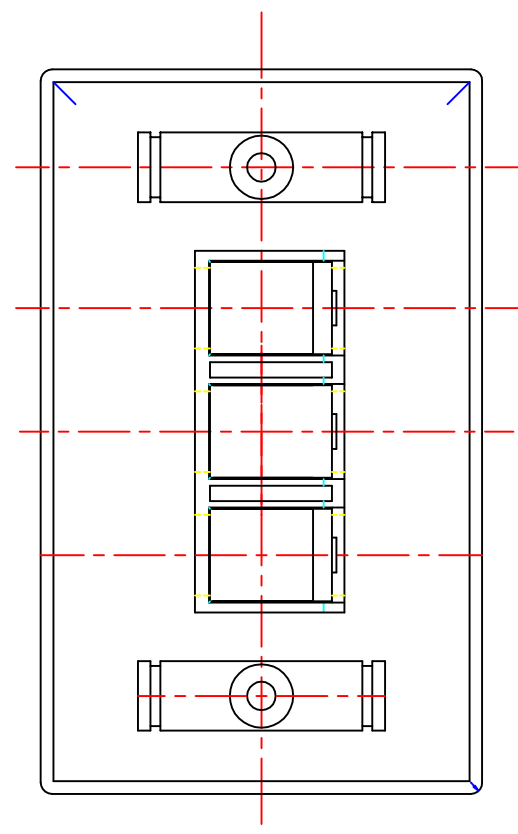
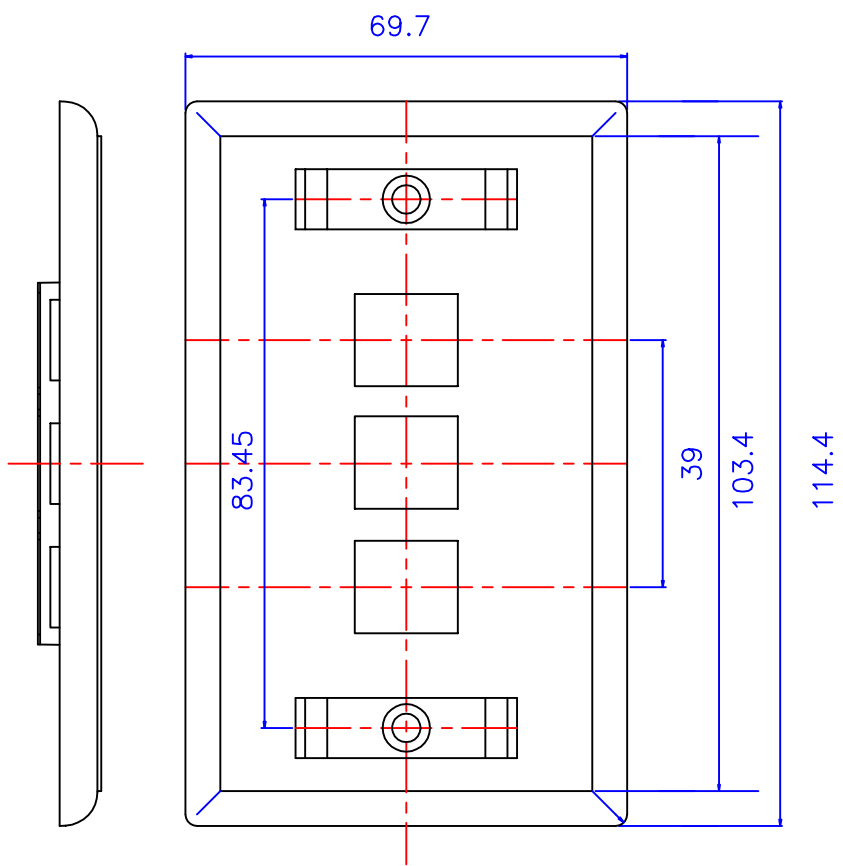


Date	2005/12/19
Revision	A

A  
B  
C  
D



A  
B  
C  
D



TOLERANCE	
.XXXX	----
.XXX	0.10
.XX	0.25
.X	0.38

P/NO. SY-H3

MATERIAL				
Apply UL-94V-0 high-impact, fire-retardant ABS material				
Compatible with BNC, ST, SC, Keystone, TV, and blank inserts for future expansion				
REV.	DESCRIPTION	ENG.	APPROVAL	

TITLE FACE PLATE	CO. SY	FILE SY-H3
DR. Hansum 2005/11/01	APPD.	CHKD.
 Shunn Yang Ent.Co.Ltd. TEL: 29089890 <REP> FAX: 29068849,29088679	SCALE /	
	UNIT	mm
	SHEET	REV.

1 2 3 4 5 6 7

1 2 3 4 5 6 7