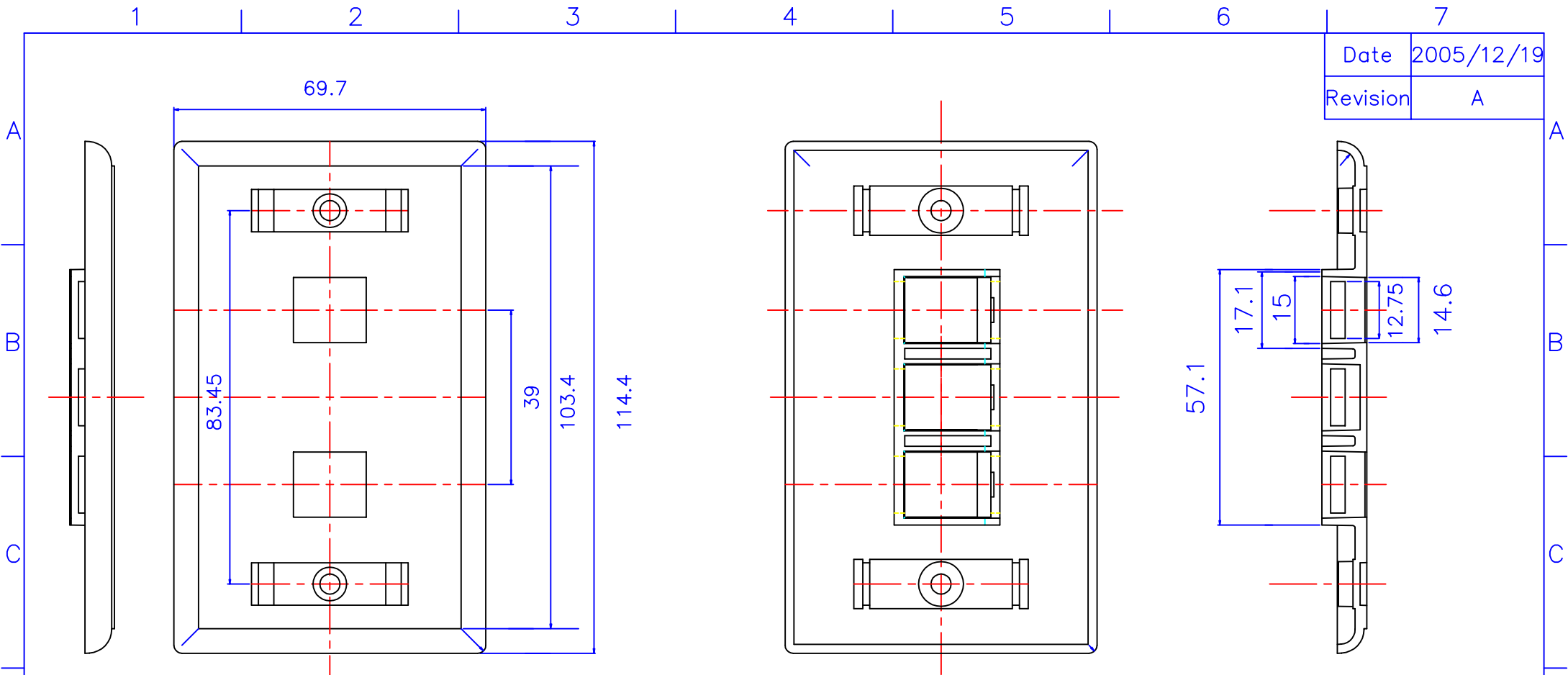


| | |
|----------|------------|
| Date | 2005/12/19 |
| Revision | A |



| TOLERANCE | |
|-----------|------|
| .XXXX | ---- |
| .XXX | 0.10 |
| .XX | 0.25 |
| .X | 0.38 |

P/NO. SY-H2

| MATERIAL | | | |
|---|-------------|------|----------|
| Apply UL-94V-0 high-impact, fire-retardant ABS material | | | |
| Compatible with BNC, ST, SC, Keystone, TV, and blank inserts for future expansion | | | |
| REV. | DESCRIPTION | ENG. | APPROVAL |

| | | |
|--|---------|---|
| TITLE FACE PLATE | CO. SY | FILE SY-H2 |
| DR. Hansum 2005/11/01 | APPD. | CHKD. |
|  Shunn Yang Ent.Co.Ltd. TEL: 29089890 <REP> FAX: 29068849,29088679 | SCALE / |  |
| | UNIT | mm SIZE A4 |
| | SHEET | REV. |