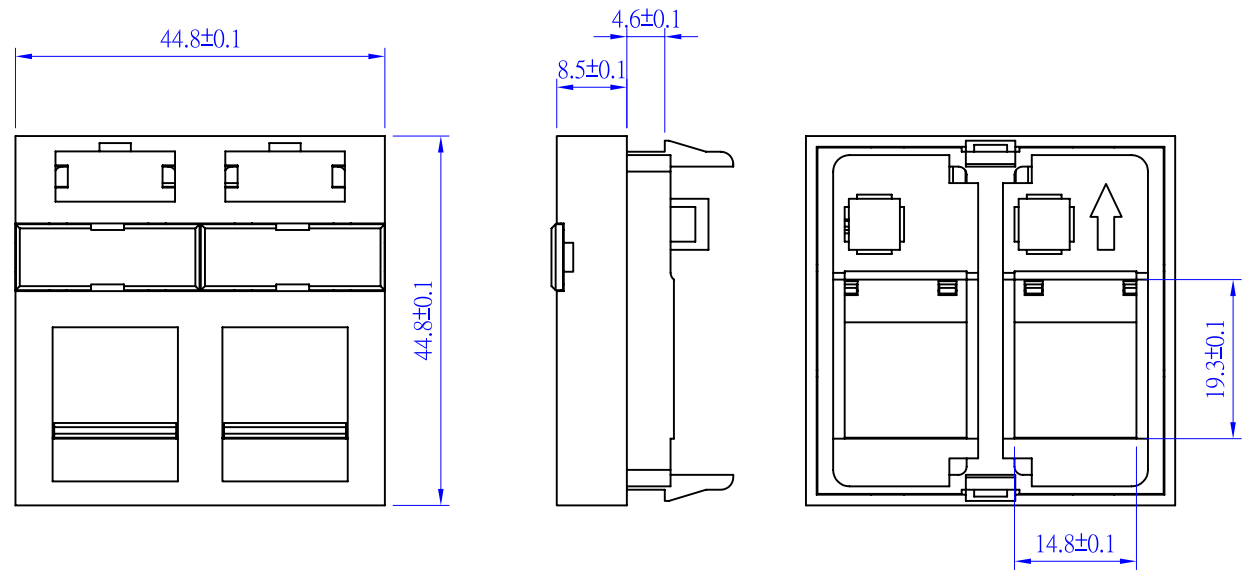
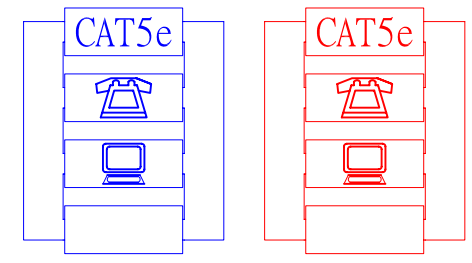


ROHS Compliant

Date	2010/04/21
Revision	A



ACCESSORY :



BLUE

RED

TOLERANCE	
.XXXX	---
.XXX	0.10
.XX	0.25
	0.38

P/NO. SY-FM2

MATERIAL
Apply UL-94V-0 high-impact, fire-retardant ABS material

TITLE. FACE PLATE	CO. SY	FILE. SY-FM2
DR. Breaker2010/04/21	APPD.	CHKD.

REV.	DESCRIPTION	ENG.	APPROVAL



Shiunn Yang Ent.Co.Ltd.
TEL: 29089890 <REP>
FAX: 29068849,29088679

SCALE /	
UNIT mm	SIZE A4
SHEET	REV.