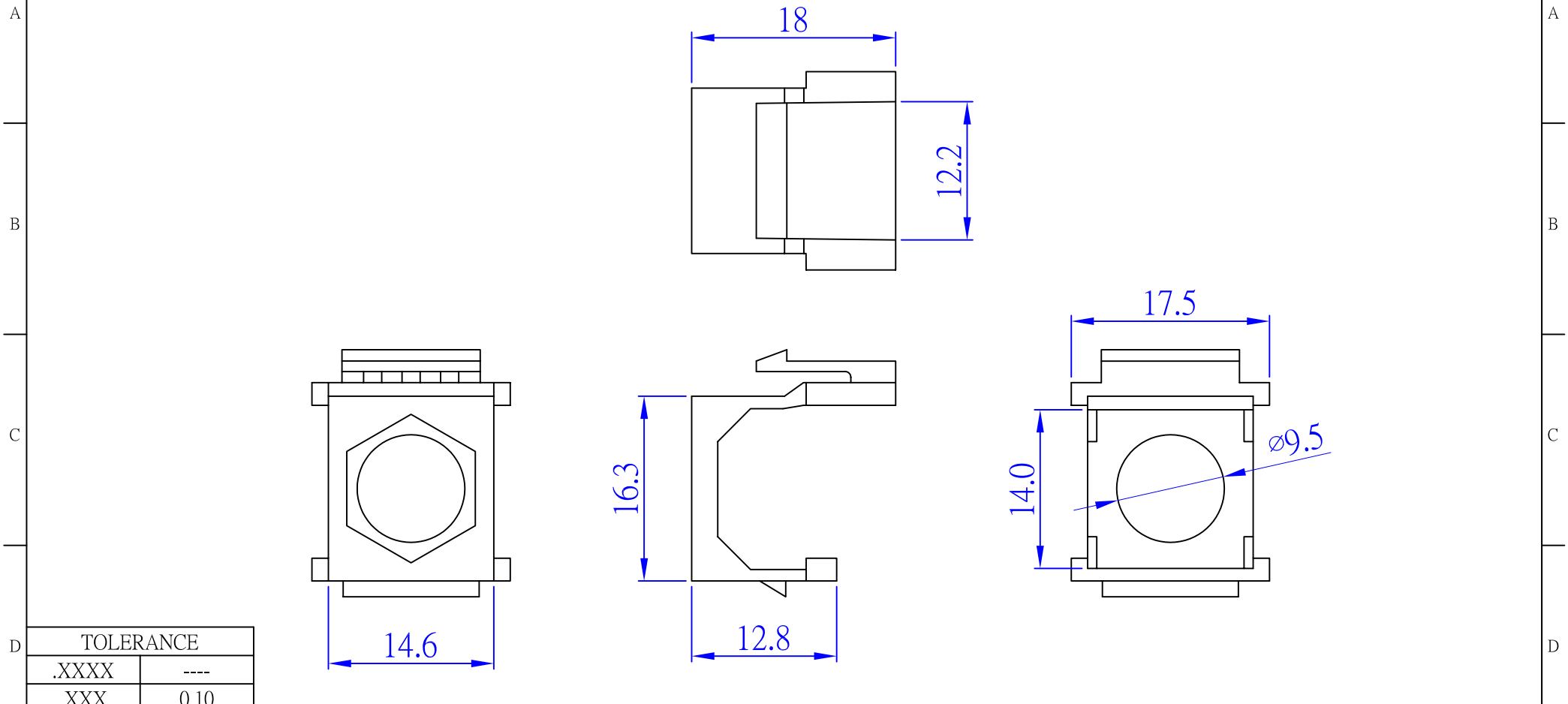


ROHS Compliant

Date	2010/01/28
Revision	A



TOLERANCE	
.XXXX	----
.XXX	0.10
.XX	0.25
.X	0.38

P/NO.	SY-F
-------	------

MATERIAL			
Housing : ABS , UL94V-0			

ITEM.	COUPLER	CO.	SY	FILE.	SY-F
DR.	Breaker2010/01/28	APPD.		CHKD.	

REV.	DESCRIPTION	ENG.	APPROVAL
------	-------------	------	----------

Shiunn Yang Ent.Co.Ltd.
 TEL: 29089890 <REP>
 FAX: 29068849,29088679

SCALE	/	
UNIT	mm	SIZE A4
SHEET		REV.