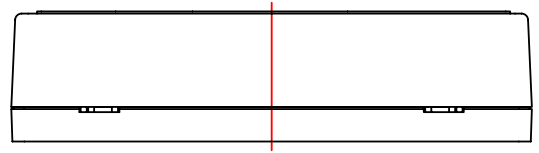
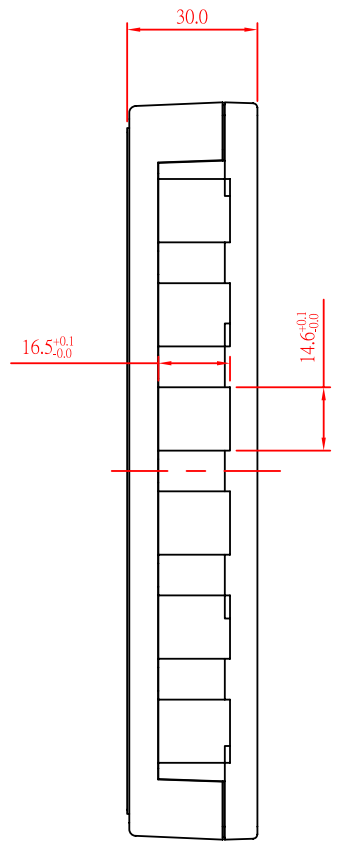
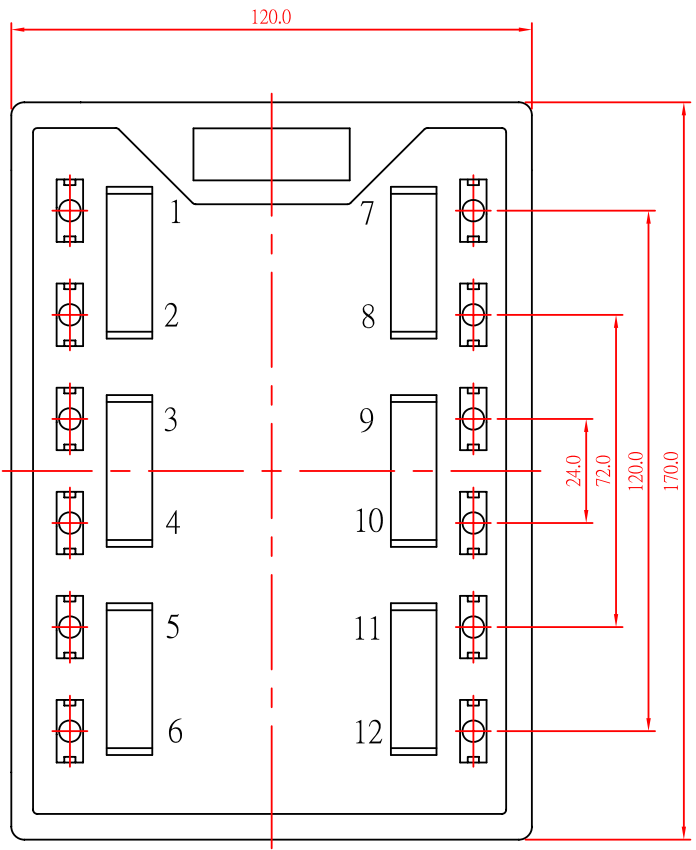


Date	2005/10/13
Revision	A



ANGLE	
315-500	±1.0
120-315	±0.6
80-120	±0.4
30-80	±0.2
6-30	±0.14
6以下	±0.1
TOLERANCE	

P/NO. SY-DVO-12

ITEM Accessories	CO. SY	FILE SY-DVO-12
DR. Hansum2005/10/13	APPD.	CHKD.
 Shiunn Yang Ent.Co.Ltd. TEL: 29089890 <REP> FAX: 29068849,29088679	SCALE /	
	UNIT mm	SIZE A4
	SHEET	REV.

REV.	DESCRIPTION	ENG.	APPROVAL
1	2	3	4