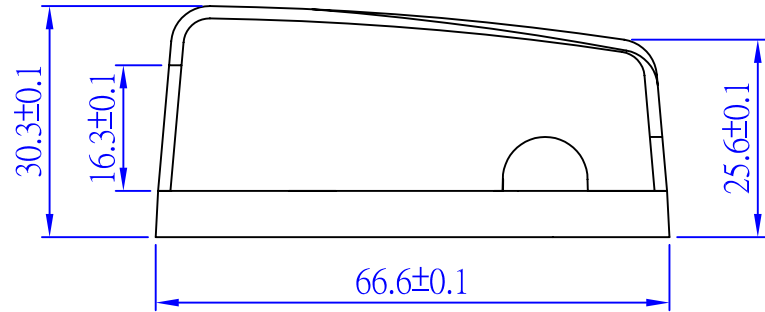
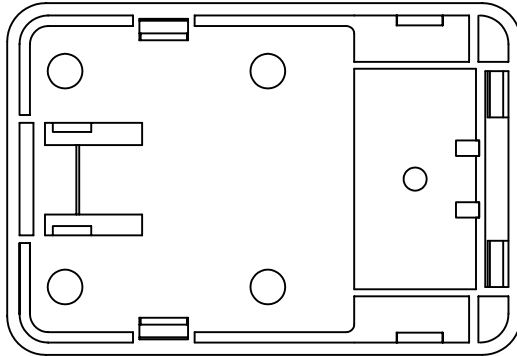
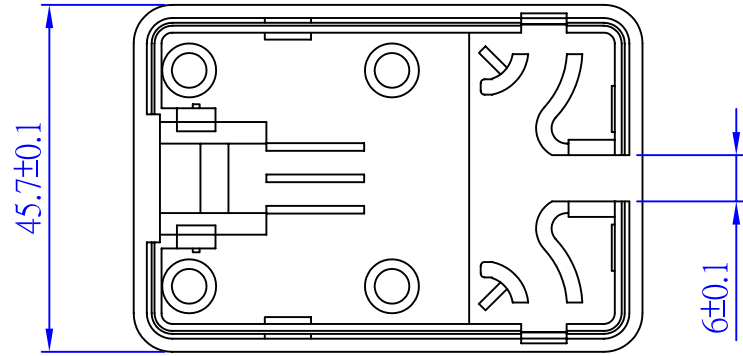
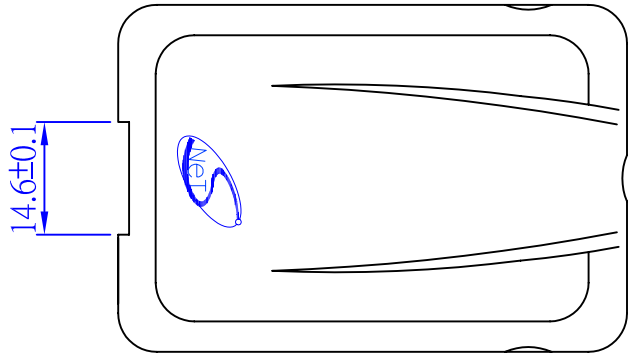


ROHS Compliant

Date	2010/03/22
Revision	A



P/NO. SY-DVO-1

MATERIAL

HOUSING	ABS UL94V-0		
ACCESSORY	6mm X 19mm Tapping Screws		
	41mm X 58mm X 2mm Double-sided adhesive		
REV.	DESCRIPTION	ENG.	APPROVAL

TITLE

DR. Breaker2010/03/22

CO. SY

APPD.

FLIE. SY-DVO-1

CHKD.



Shiunn Yang Ent.Co.Ltd.  
 TEL: 29089890 <REP>  
 FAX: 29068849,29088679

SCALE /	
UNIT mm	SIZE A4
SHEET	REV.