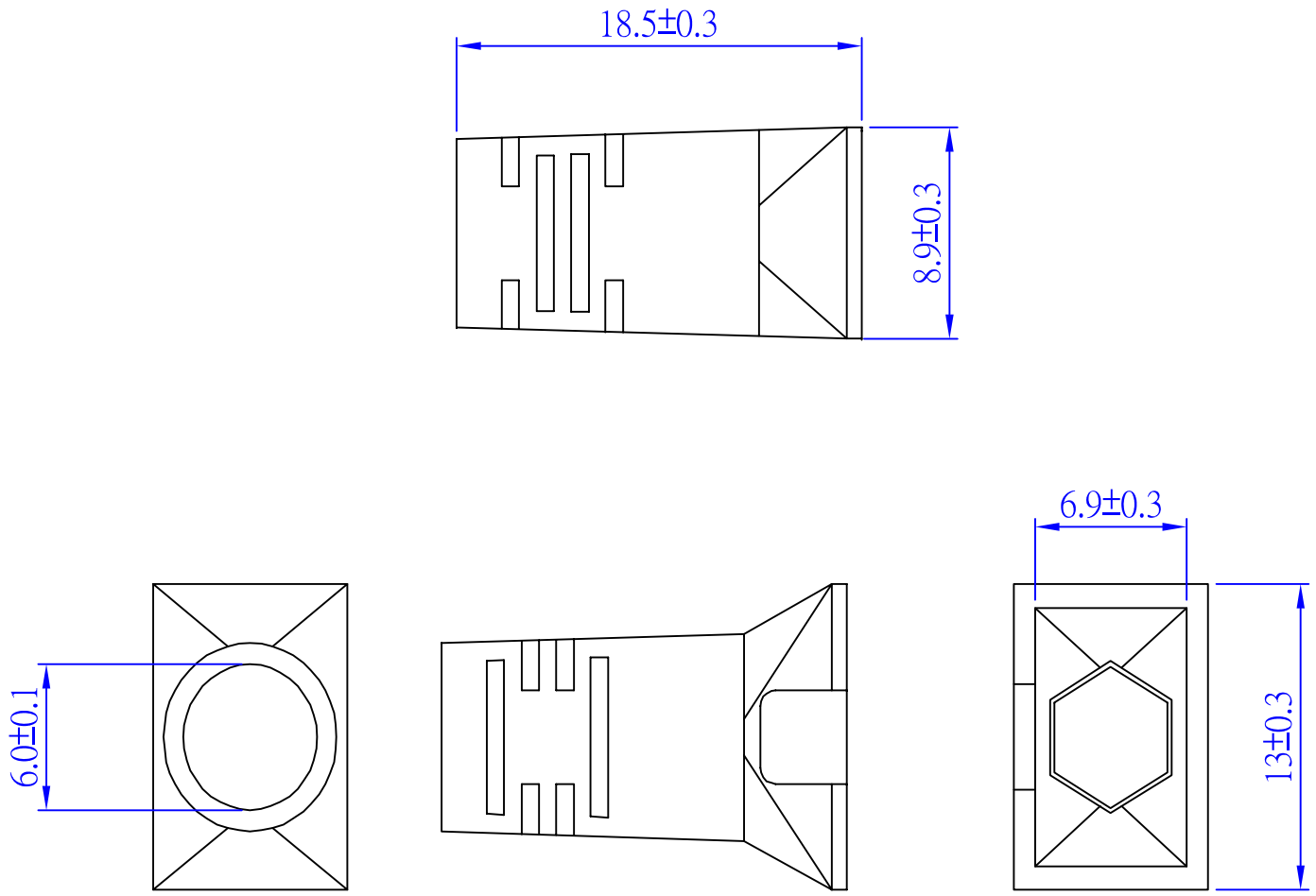



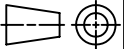
ROHS Compliant

Date	2010/06/03
Revision	A



TOLERANCE	
.XXXX	----
.XXX	0.10
.XX	0.25
.X	0.38

TECHNICAL DATA			
MATERIAL	PVC		
COLOR	<input type="checkbox"/> RED <input type="checkbox"/> BLUE <input type="checkbox"/> YELLOW <input type="checkbox"/> GREEN <input type="checkbox"/> ORANGE <input type="checkbox"/> WHITE <input type="checkbox"/> BLACK <input type="checkbox"/> _____		
REV.	DESCRIPTION	ENG.	APPROVAL

P/NO.		SY-CCBT			
ITEM.	CO.	SY	FILE.		
DR.	Breaker2010/06/03	APPD.	SY-CCBT		
 Shiunn Yang Ent.Co.Ltd. TEL: 29089890 <REP> FAX: 29068849,29088679		CHKD.	SCALE / 		
		UNIT	mm	SIZE	A4
		SHEET		REV.	