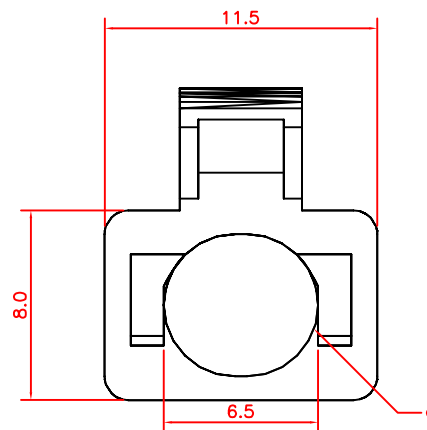
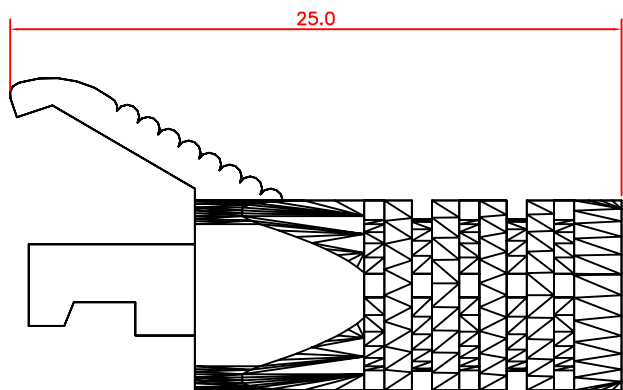
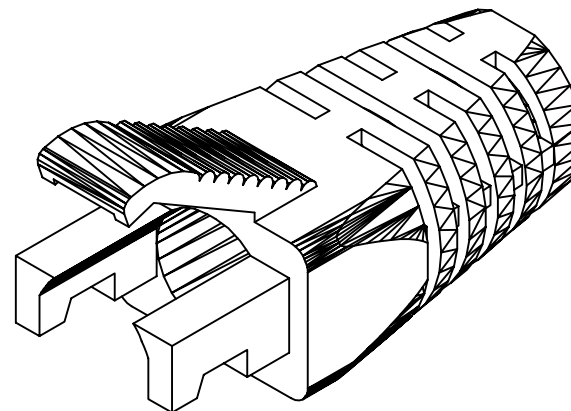
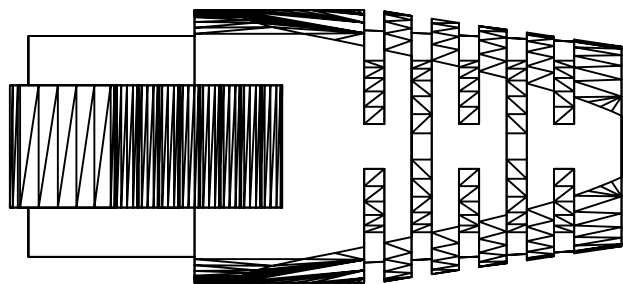


ROHS Compliant

Date 2006/07/05

Revision A



SPECIFICATION DATA

TOLERANCE

HOUSING	Fire-resistance PVC	.XXXX	----
CONTACT	PHOSPHOR BRONZE FINE GOLD PLATED OVER NICKEL	.XXX	0.10
COLOR	<input type="checkbox"/> GRAY <input type="checkbox"/> BLACK <input type="checkbox"/> RED <input type="checkbox"/> GREEN <input type="checkbox"/> YELLOW	.XX	0.25
	<input type="checkbox"/> BLUE <input type="checkbox"/> WHITE <input type="checkbox"/> ORANGE <input type="checkbox"/> OTHER _____	.X	0.38
		----	0.50

P/NO. SY-CCB6-XX

ITEM BOOT & SR CAP CO. SY S/N. SY-CCB6-XX

DR. Hansum2006/07/05 APPD. CHKD.

FILE SY-CCB-XX



Shium Yang Ent.Co.Ltd.
TEL: 29089890 <REP>
FAX: 29068849,29088679

SCALE /

UNIT mm SIZE A4

REV. DESCRIPTION ENG. APPROVAL

1

2

3

4

5

6

7