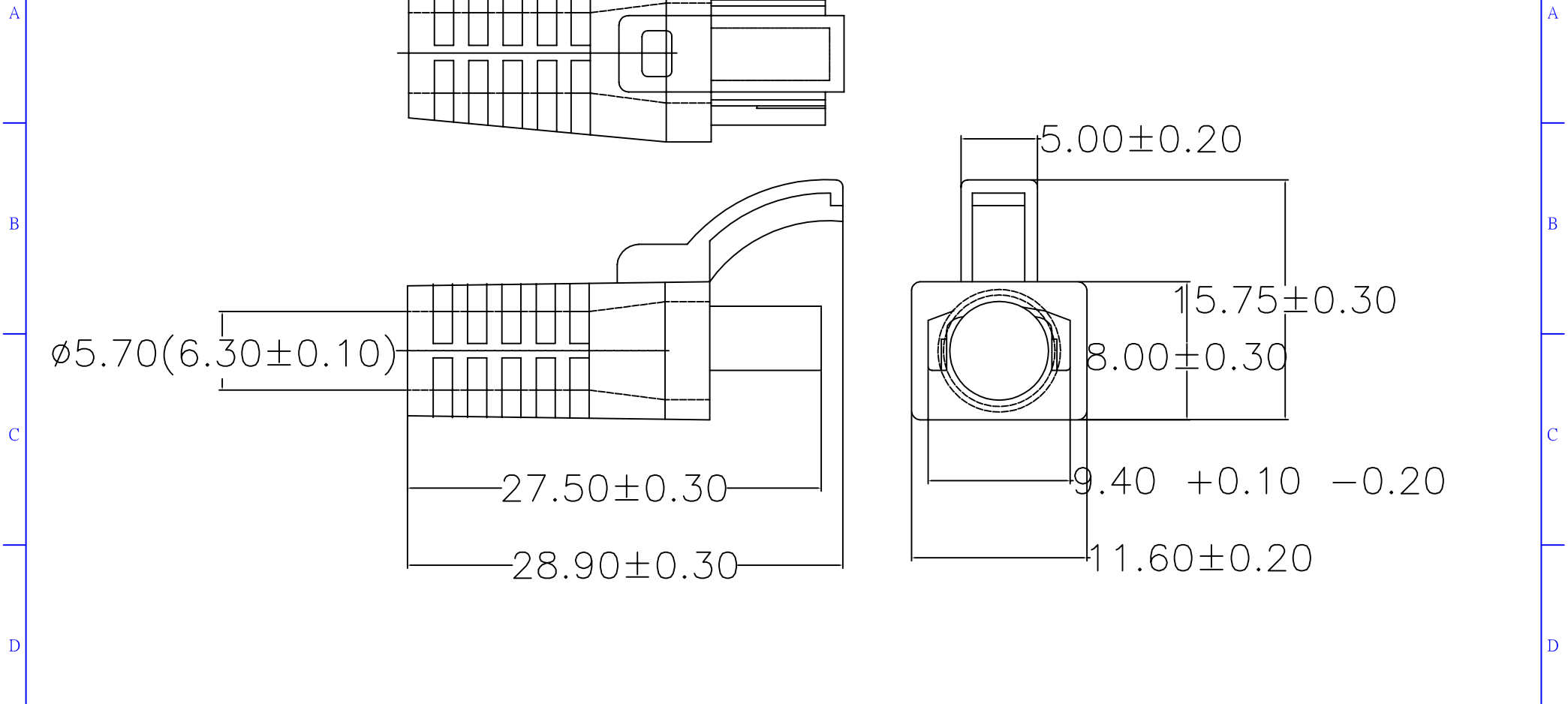


ROHS Compliant

Date	2006/07/05
Revision	A



SPECIFICATION DATA		TOLERANCE	
HOUSING	Fire-resistance PVC	.XXXX	----
CONTACT	PHOSPHOR BRONZE FINE GOLD PLATED OVER NICKEL	.XXX	0.10
COLOR	<input type="checkbox"/> GRAY <input type="checkbox"/> BLACK <input type="checkbox"/> RED <input type="checkbox"/> GREEN <input type="checkbox"/> YELLOW	.XX	0.25
	<input type="checkbox"/> BLUE <input type="checkbox"/> WHITE <input type="checkbox"/> ORANGE <input type="checkbox"/> OTHER _____	.X	0.38
		----	0.50
REV.	DESCRIPTION	ENG.	APPROVAL

P/NO. SY-CCB5-XX

ITEM BOOT & SR CAP	CO. SY	S/N. SY-CCB5-XX
DR. Hansum2006/07/05	APPD.	CHKD.
 Shiunn Yang Ent.Co.Ltd. TEL: 29089890 <REP> FAX: 29068849,29088679		FILE SY-CCB-XX
SCALE /		
UNIT mm	SIZE A4	