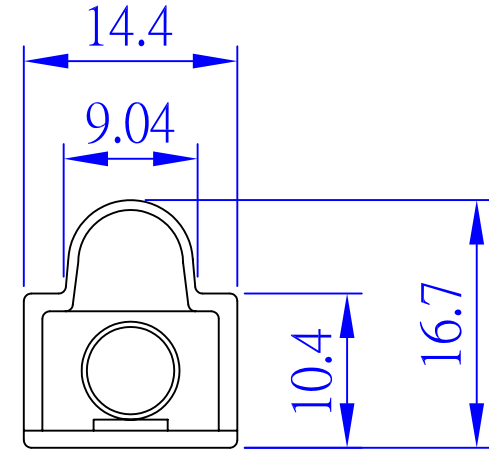
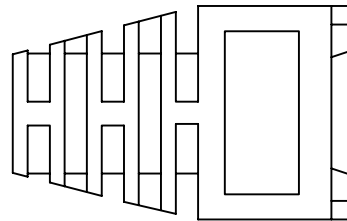
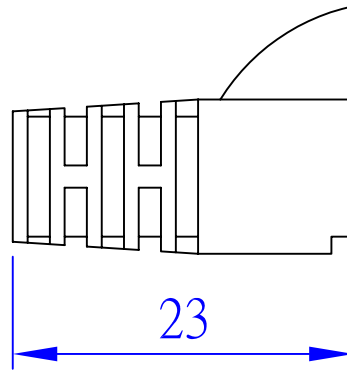
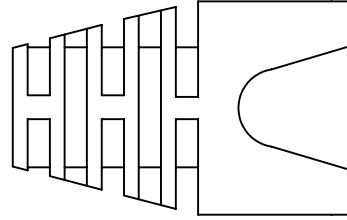
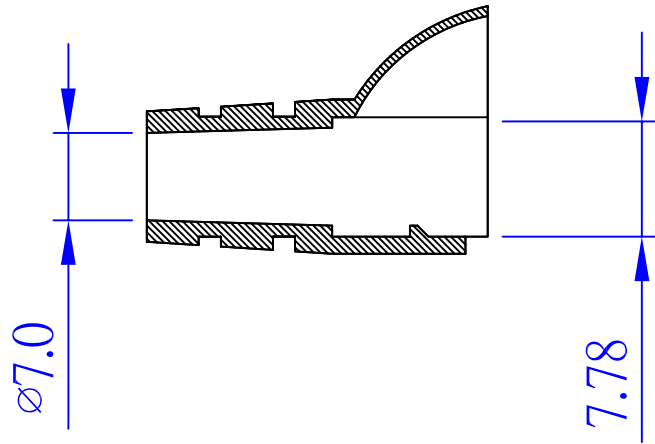


ROHS Compliant

Date	2010/06/04
Revision	A



TOLERANCE : ± 0.5

P/NO. SY-CCB3-XX

MATERIAL

HOUSING	PVC
COLOR	<input type="checkbox"/> RED <input type="checkbox"/> BLUE <input type="checkbox"/> YELLOW <input type="checkbox"/> GREEN <input type="checkbox"/> ORANGE <input type="checkbox"/> WHITE <input type="checkbox"/> BLACK <input type="checkbox"/> _____

ITEM.

DR. Breaker2010/06/04

CO.

SY

APPD.

FILE. SY-CCB3-XX

CHKD.



Shiunn Yang Ent.Co.Ltd.
 TEL: 29089890 <REP>
 FAX: 29068849,29088679

SCALE /	
UNIT mm	SIZE A4
SHEET	REV.

REV.	DESCRIPTION	ENG.	APPROVAL
------	-------------	------	----------

1 2 3 4 5 6 7