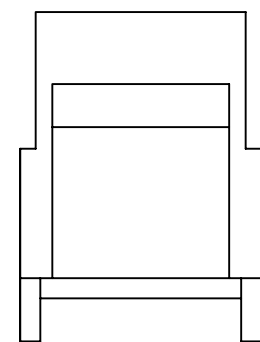
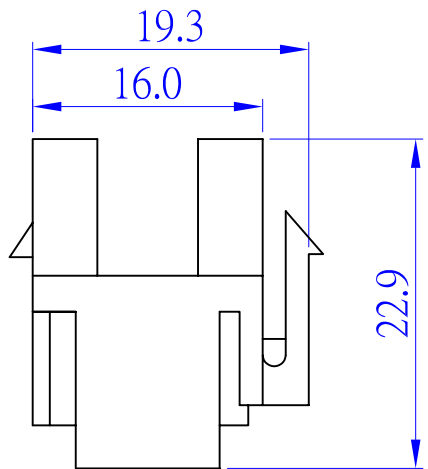
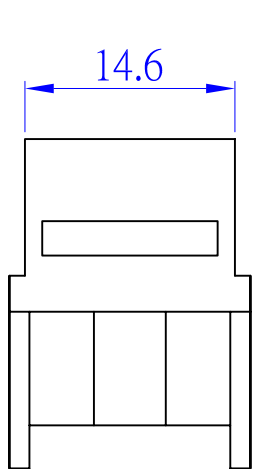
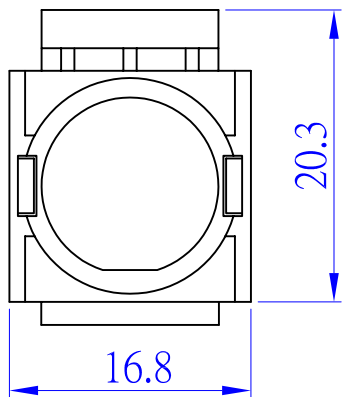


ROHS Compliant



Date	2010/01/29
Revision	A



TOLERANCE	
.XXXX	----
.XXX	0.10
.XX	0.25
.X	0.38

P/NO. SY-BNC

MATERIAL			
Housing : ABS , UL94V-0			
REV.	DESCRIPTION	ENG.	APPROVAL

ITEM. COUPLER	CO. SY	FILE. SY-BNC
DR. Breaker2010/01/29	APPD.	CHKD.
 Shiunn Yang Ent.Co.Ltd. TEL: 29089890 <REP> FAX: 29068849,29088679		SCALE / 
		UNIT mm SIZE A4
		SHEET REV.

