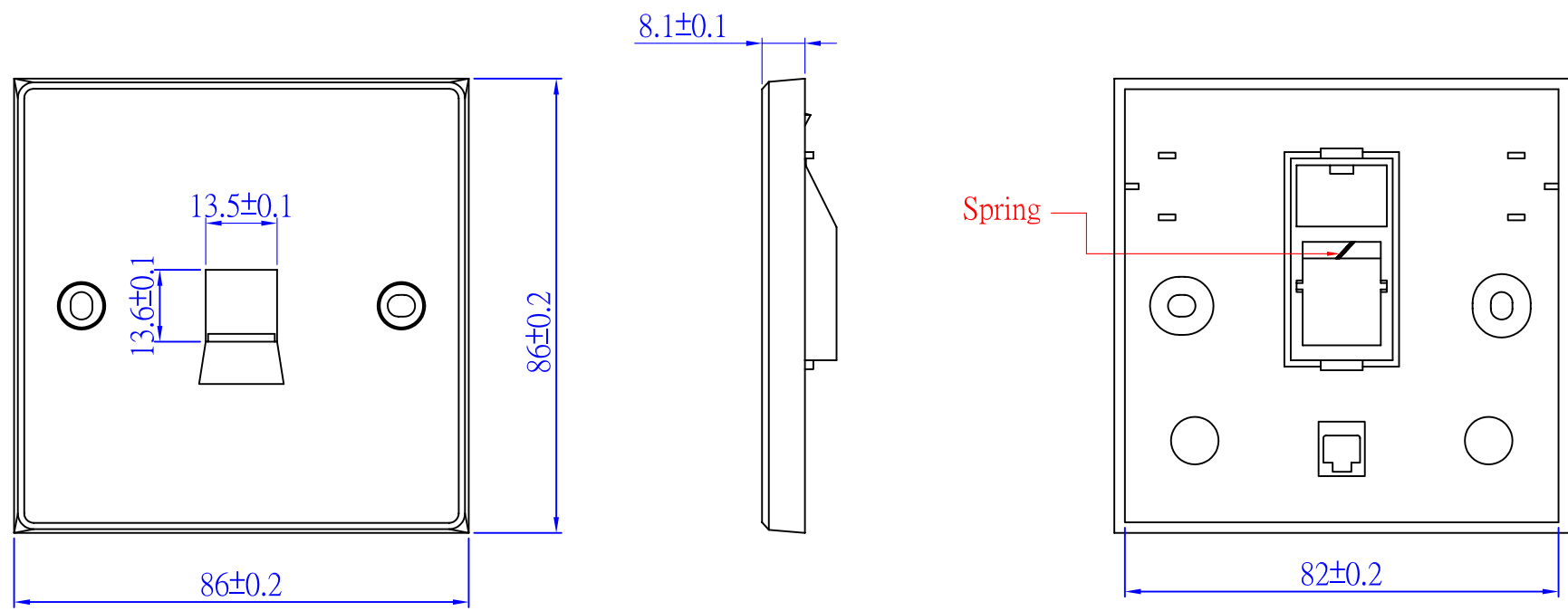


ROHS Compliant

Date	2010/05/07
Revision	A



TOLERANCE	
. XXXX	----
. XXX	0.10
. XX	0.25
. X	0.38

P/NO. SY-BC1

MATERIAL		
MATERIAL	ABS UL-94V-0	COLOR <input checked="" type="checkbox"/> WHITE <input type="checkbox"/> IVORY
ENCLOSURE	<input type="checkbox"/> Taping screw(3.5x25mm)x2	<input type="checkbox"/> SCREW(6x25mm)x2 (for US faceplate) <input checked="" type="checkbox"/> SCREW(3.5x25mm)x2 (for European faceplate)
	90035025TP2	7000602500 9000352500
	<input type="checkbox"/> Taping screw(6x19mm)x2	<input type="checkbox"/> SCREW(6x20mm)x2 (for US faceplate) <input type="checkbox"/> SCREW(3.5x20mm)x2 (for European faceplate)
	7000601900	7000602000 9000352000
	<input type="checkbox"/> CLEAR COVER x2, WHITE PAPER(9.5x37mm) x2	<input checked="" type="checkbox"/> WHITE COVER <input type="checkbox"/> IVORY COVER

TITL. FACE PLATE	CO. SY	FILE. SY-BC1
DR. Breaker2010/05/07	APPD.	CHKD.
	Shunn Yang Ent.Co.Ltd. TEL: 29089890 <REP> FAX: 29068849,29088679	
	SCALE /	
	UNIT mm	SIZE A4
	SHEET	REV.