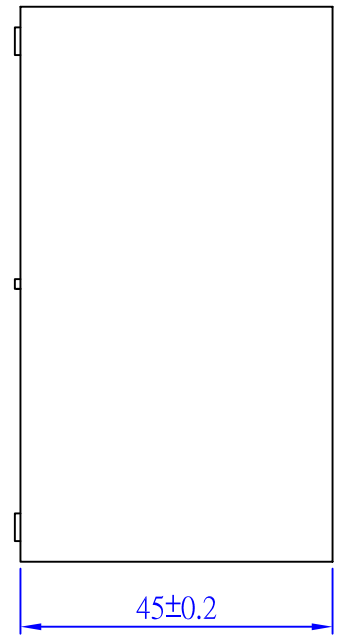
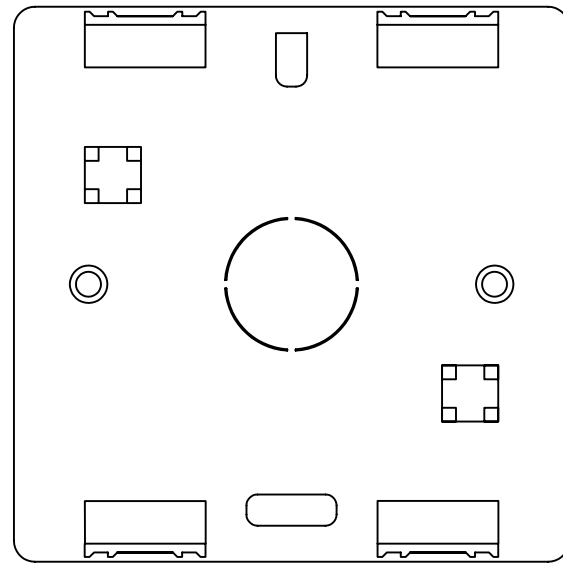
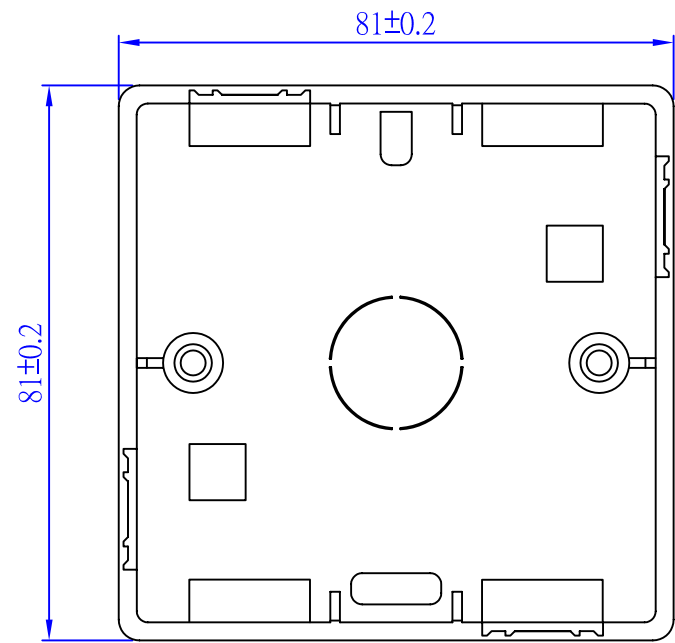


ROHS Compliant

| | |
|----------|------------|
| Date | 2010/04/30 |
| Revision | A |



| TOLERANCE | |
|-----------|------|
| .XXXX | ---- |
| .XXX | 0.10 |
| .XX | 0.25 |
| .X | 0.38 |

P/NO. SY-B185-80

| | |
|-------------|-------------------------------|
| MATERIAL | |
| HOUSING | UL-94-V-0 fire-resistance ABS |
| Description | French type Back Box |

| | | |
|-------------------------|--------|------------------|
| TITLE. Distribution Box | CO. SY | FILE. SY-B185-80 |
| DR. Breaker2010/04/30 | APPD. | CHKD. |



Shiunn Yang Ent.Co.Ltd.
 TEL: 29089890 <REP>
 FAX: 29068849,29088679

| | |
|---------|---------|
| SCALE / | |
| UNIT mm | SIZE A4 |
| SHEET | REV. |

| | | | |
|------|-------------|------|----------|
| REV. | DESCRIPTION | ENG. | APPROVAL |
|------|-------------|------|----------|

1 2 3 4 5 6 7