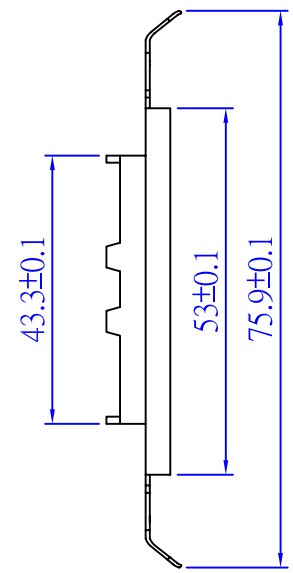
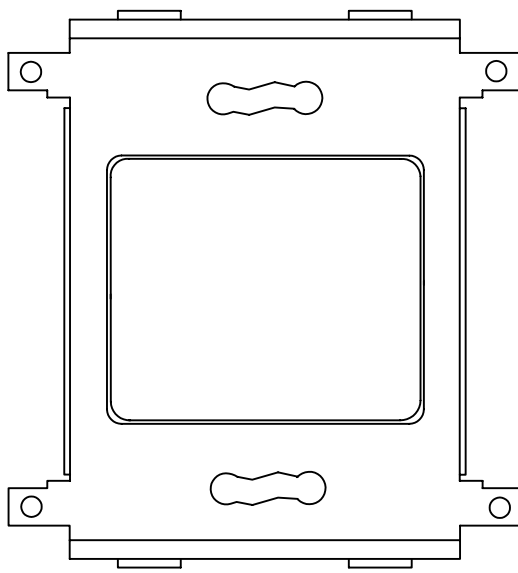
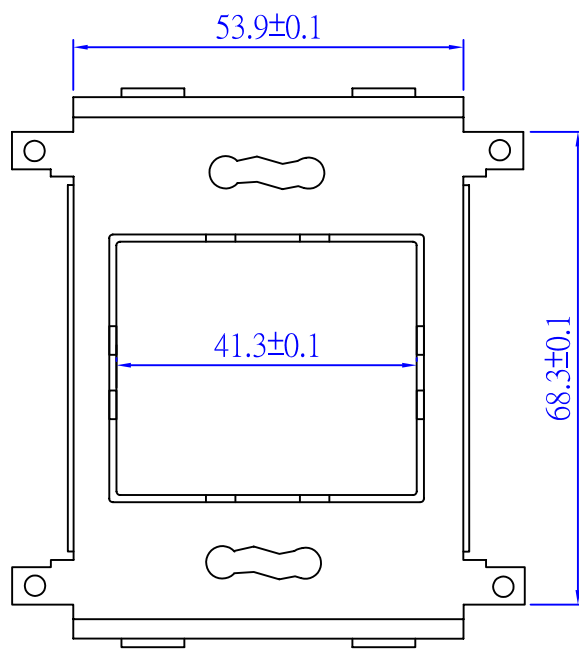
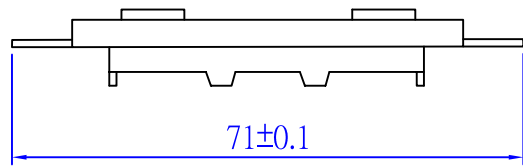


ROHS Compliant


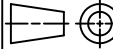
Date	2010/04/21
Revision	A



TOLERANCE	
.XXXX	----
.XXX	0.10
.XX	0.25
.X	0.38

P/NO. SY-B183-M

	MATERIAL		
FRAME	METALLIC SPCC		
ENCLOSURE	<input checked="" type="checkbox"/> SCREW (3.5x20mm) x 2 <input type="checkbox"/> SCREW (3.5x25mm) x 2 <input type="checkbox"/> SCREW (6x25mm) x 2		
	<input checked="" type="checkbox"/> 9000352000 <input checked="" type="checkbox"/> 90035025TP2 <input checked="" type="checkbox"/> 7000602500		
	<input type="checkbox"/> CLEAR COVER x2, WHITE PAPER(9.5x37mm) x2 <input type="checkbox"/> WHITE COVER <input type="checkbox"/> IVORY COVER		

TITLE. Snap-In Module	CO. SY	FILE. SY-B183-M
DR. Breaker2010/04/21	APPD.	CHKD.
 Shiunn Yang Ent.Co.Ltd. TEL: 29089890 <REP> FAX: 29068849,29088679	SCALE /	
	UNIT mm	SIZE A4
	SHEET	REV.