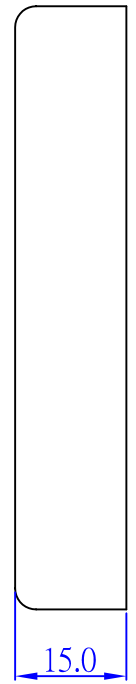
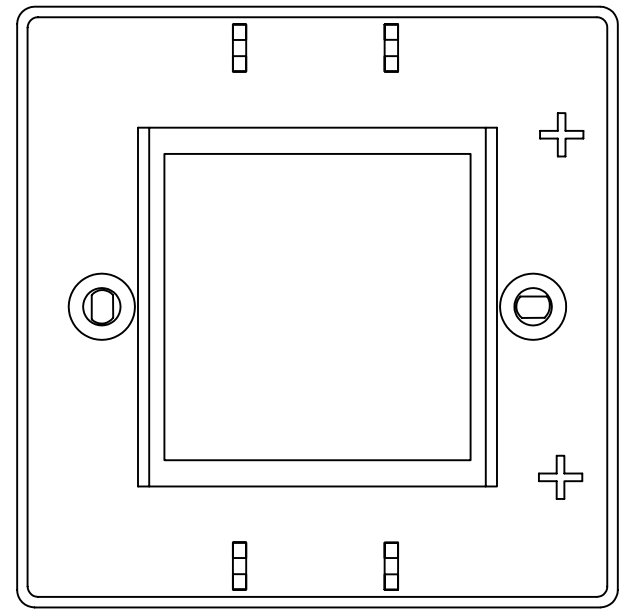
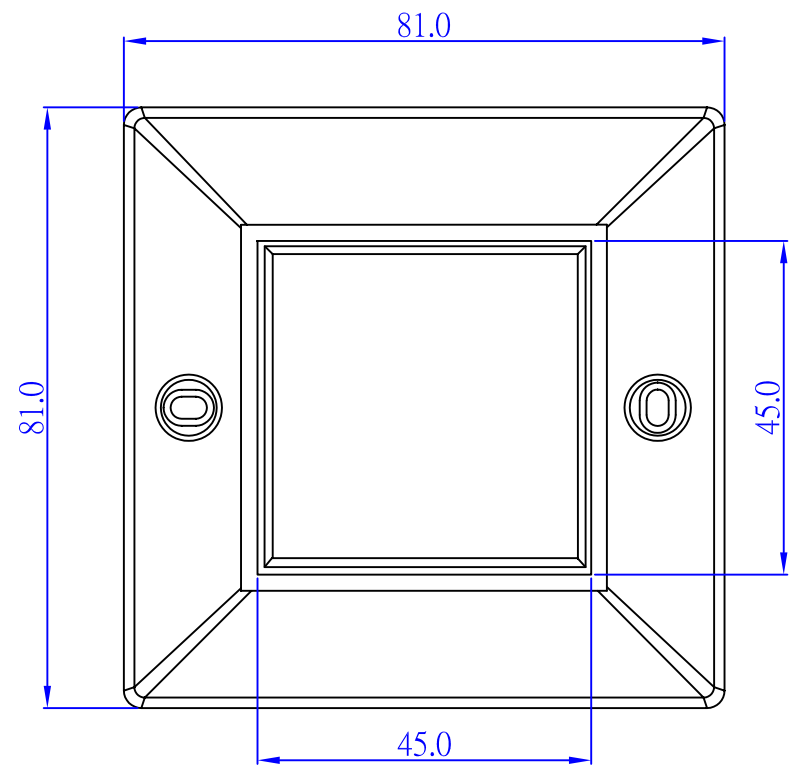


ROHS Compliant

Date	2010/12/27
Revision	A



TOLERANCE	
.XXXX	---
.XXX	0.10
.XX	0.25
.X	0.38

P/NO. SY-B182-45

MATERIAL			
MATERIAL	ABS UL-94V-0	COLOR	<input type="checkbox"/> WHITE <input type="checkbox"/> IVORY
ENCLOSURE	<input type="checkbox"/> SCREW (3.5x20mm) x 2	<input type="checkbox"/> SCREW (3.5x25mm) x 2	<input type="checkbox"/> SCREW (6x25mm) x 2
	9000352000	90035025TP2	
	<input type="checkbox"/> CLEAR COVER x2, WHITE PAPER(9.5x37mm) x2	<input type="checkbox"/> WHITE COVER	<input type="checkbox"/> IVORY COVER

TITLE.	CO. SY	FILE. SY-B182-45
DR. Breaker2010/12/27	APPD.	CHKD.
<p>Shiunn Yang Ent.Co.Ltd. TEL: 29089890 <REP> FAX: 29068849,29088679</p>	SCALE /	
	UNIT mm	SIZE A4
	SHEET	REV.