

ROHS Compliant

Date	2009/04/13
Revision	A

A

B

C

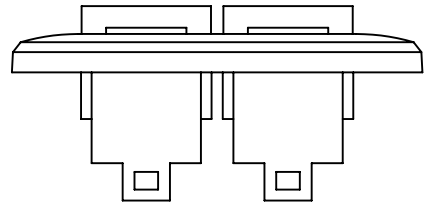
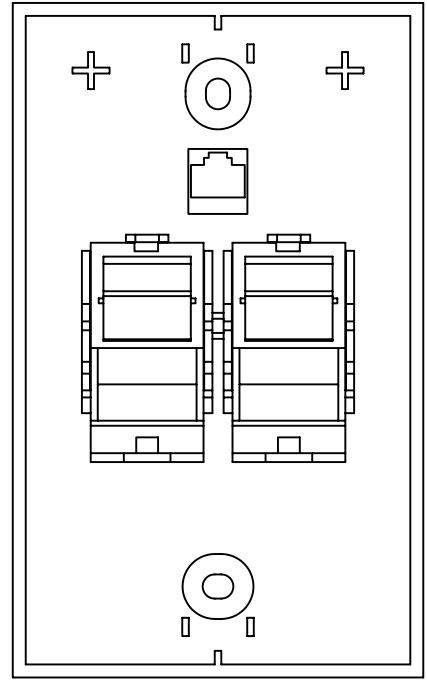
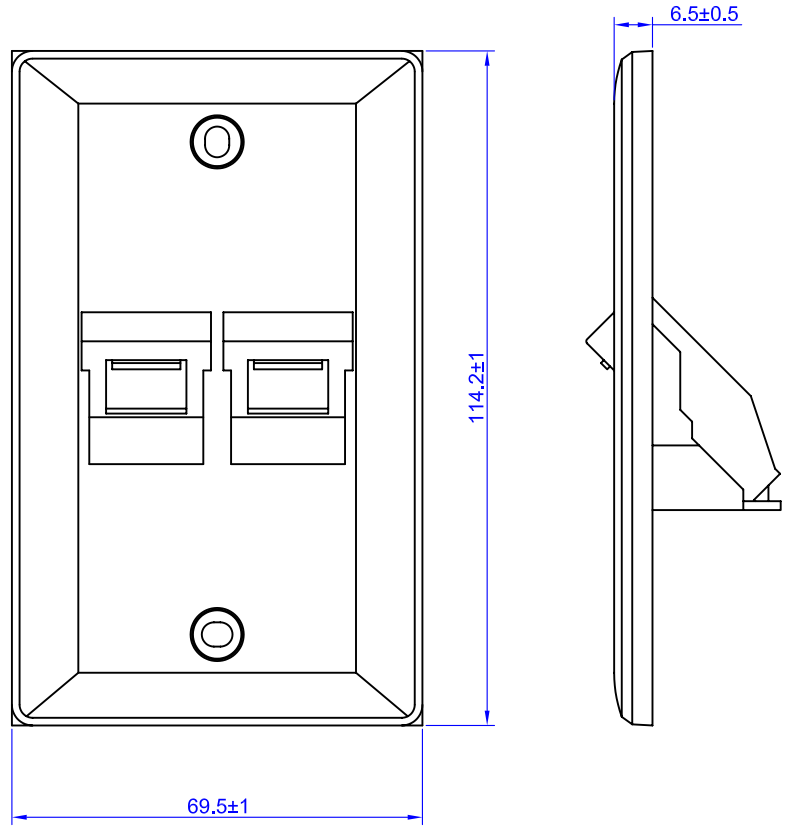
D

A

B

C


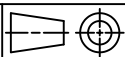
D



TOLERANCE	
. XXXX	----
. XXX	0.10
. XX	0.25
. X	0.38

P/NO. SY-AS2

MATERIAL			
MATERIAL	ABS UL-94V-0	COLOR	<input type="checkbox"/> WHITE <input type="checkbox"/> IVORY
ENCLOSURE	<input type="checkbox"/> SCREW (3.5x20mm) x 2 <input type="checkbox"/> SCREW (3.5x25mm) x 2 <input checked="" type="checkbox"/> SCREW (6x25mm) x 2 <input checked="" type="checkbox"/> 9000352000 <input checked="" type="checkbox"/> 90035025TP2 <input checked="" type="checkbox"/>		
	<input type="checkbox"/> CLEAR COVER x2, WHITE PAPER(9.5x37mm) x2 <input type="checkbox"/> WHITE COVER <input type="checkbox"/> IVORY COVER		

TITL. FACE PLATE	CO. SY	FILE. SY-AS2
DR. Breaker2009/04/13	APPD.	CHKD.
 Shiunn Yang Ent.Co.Ltd. TEL: 29089890 <REP> FAX: 29068849,29088679	SCALE /	
	UNIT mm	SIZE A4
	SHEET	REV.

E