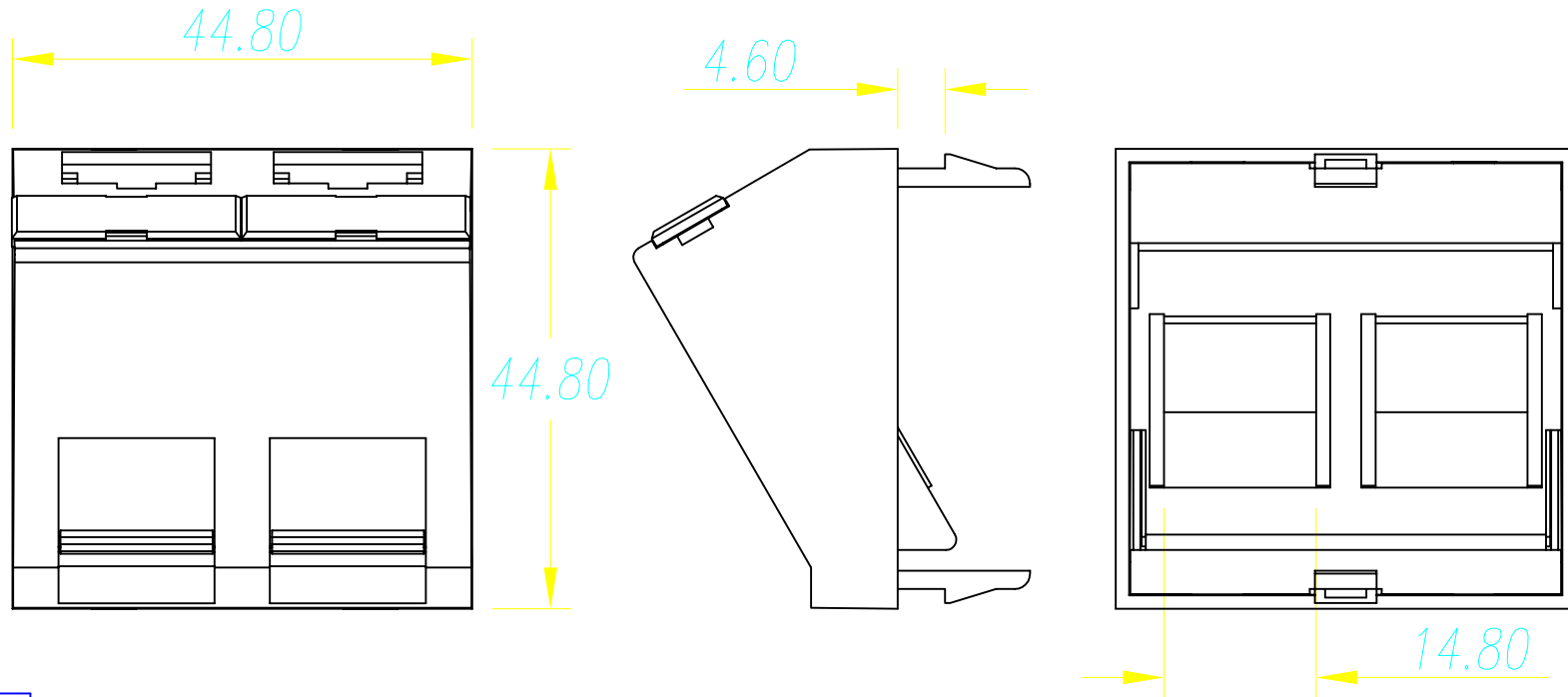


Date	2006/01/18
Revision	A



TOLERANCE	
301-500	±1
121-300	±0.6
81-120	±0.4
31-80	±0.4
11-30	±0.14
1-10	±0.1

P/NO. SY-AM2

MATERIAL			
Apply UL-94V-0 high-impact, fire-retardant ABS material			
Compatible with BNC, ST, SC, Keystone, TV, and blank inserts for future expansion			

TITLE	FACE PLATE	CO. SY	FILE SY-AM2
DR. Rita	2006/01/18	APPD.	CHKD.



Shiunn Yang Ent. Co. Ltd.
 TEL: 29089890 <REP>
 FAX: 29068849, 29088679

SCALE /	
UNIT mm	SIZE A4
SHEET	REV.

REV.	DESCRIPTION	ENG.	APPROVAL