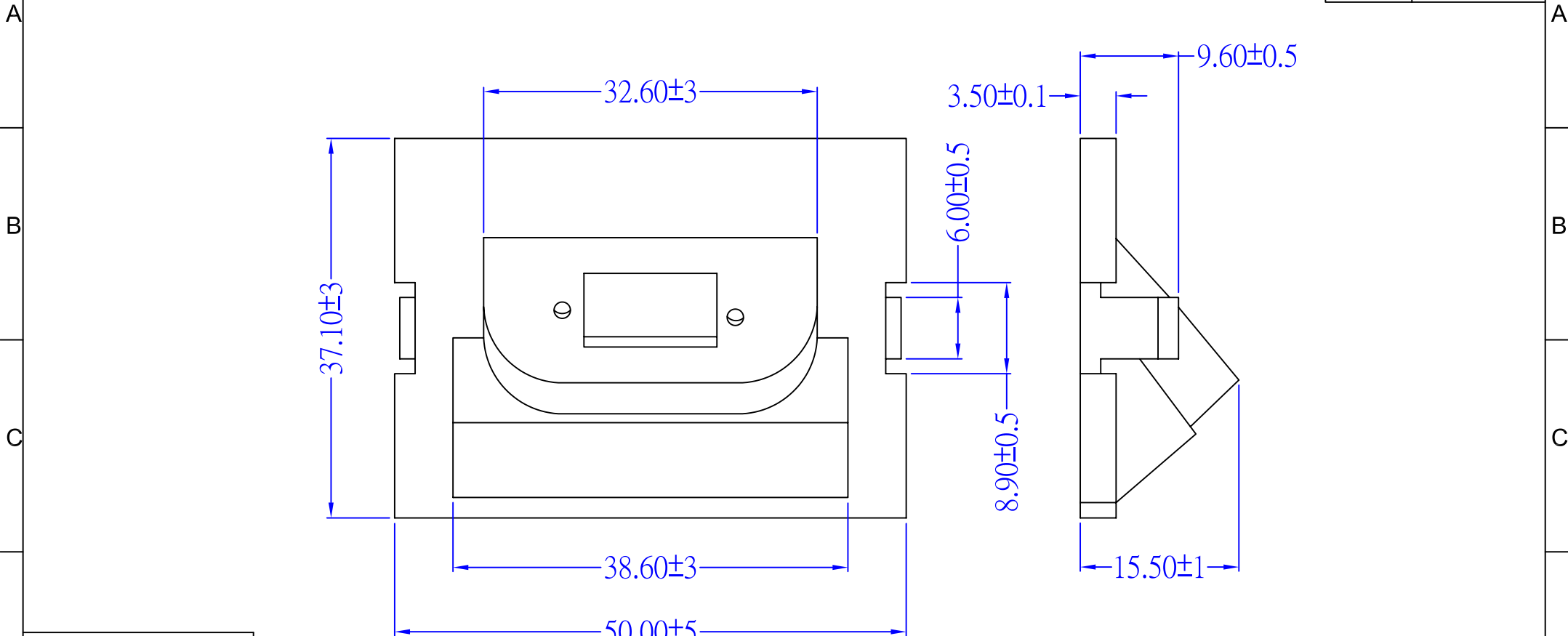


ROHS Compliant

Date	2009/04/20
Revision	A



TOLERANCE	
.XXXX	---
.XXX	0.10
.XX	0.25
.X	0.38

**P/NO. SY-ACM1**

MATERIAL	
HOUSING	UL-94-V-0 fire-resistance ABS
Description	1.5U 1 port SC(MRT) Snap-in Module , Size: 37x50mm

TITL.	CO. SY	FILE. SY-ACM1
DR.Breaker2009/04/20	APPD.	CHKD.



Shiunn Yang Ent.Co.Ltd.  
 TEL: 29089890 <REP>  
 FAX: 29068849,29088679

SCALE /	
UNIT mm	SIZE A4
SHEET	REV.

REV.	DESCRIPTION	ENG.	APPROVAL
1	2	3	4