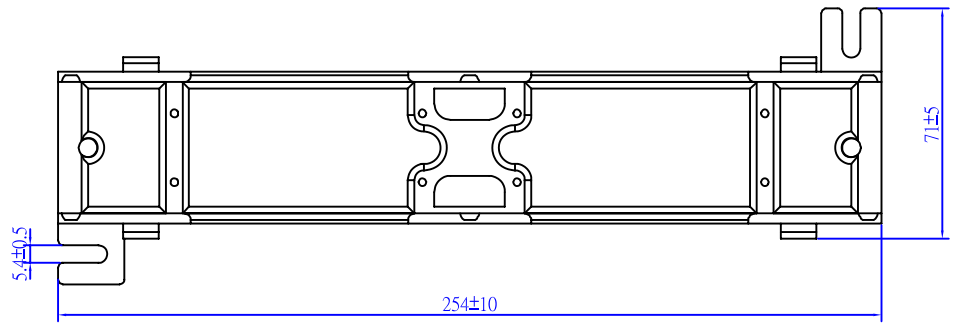
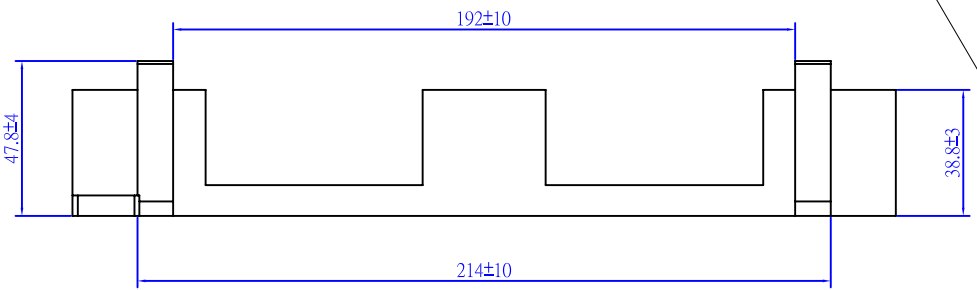
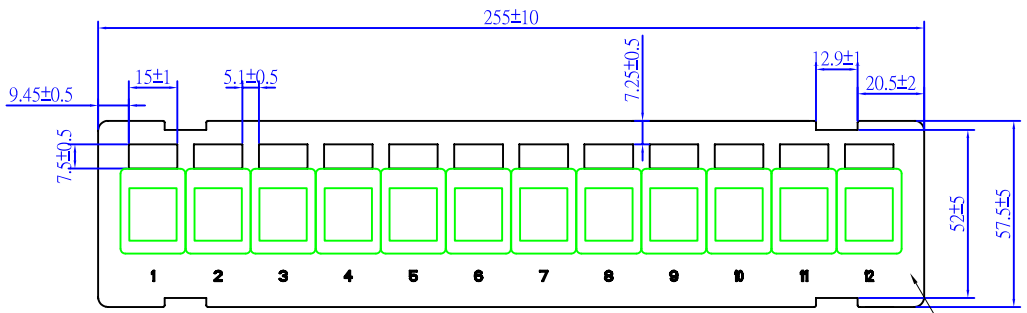
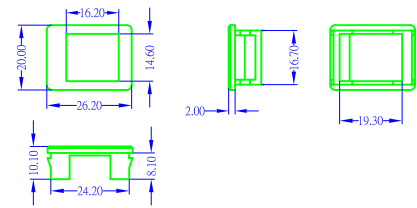
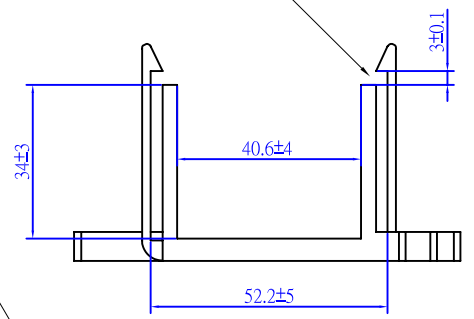


ROHS Compliant

Date	2009/07/13
Revision	A



可做2種卡點
1.6或3.0mm 鐵板厚度



SYKJ-PN

TOLERANCE	
.XXXX	---
.XXX	0.10
.XX	0.25
.X	0.38

MATERIAL

CATEGORY	<input type="checkbox"/> CAT.5E <input type="checkbox"/> CAT.6 <input type="checkbox"/> CAT.3 <input type="checkbox"/> OTHER_____
FRAME	METALLIC SPCC

P/NO. SY-511W-12K

TITLE. PANEL	CO. SY	FILE. SY-511W-12K
DR. Breaker2009/07/13	APPD.	CHKD.



Shiunn Yang Ent.Co.Ltd.
TEL: 29089890 <REP>
FAX: 29068849,29088679

SCALE 1/1	
UNIT mm	SIZE A4
SHEET	REV.