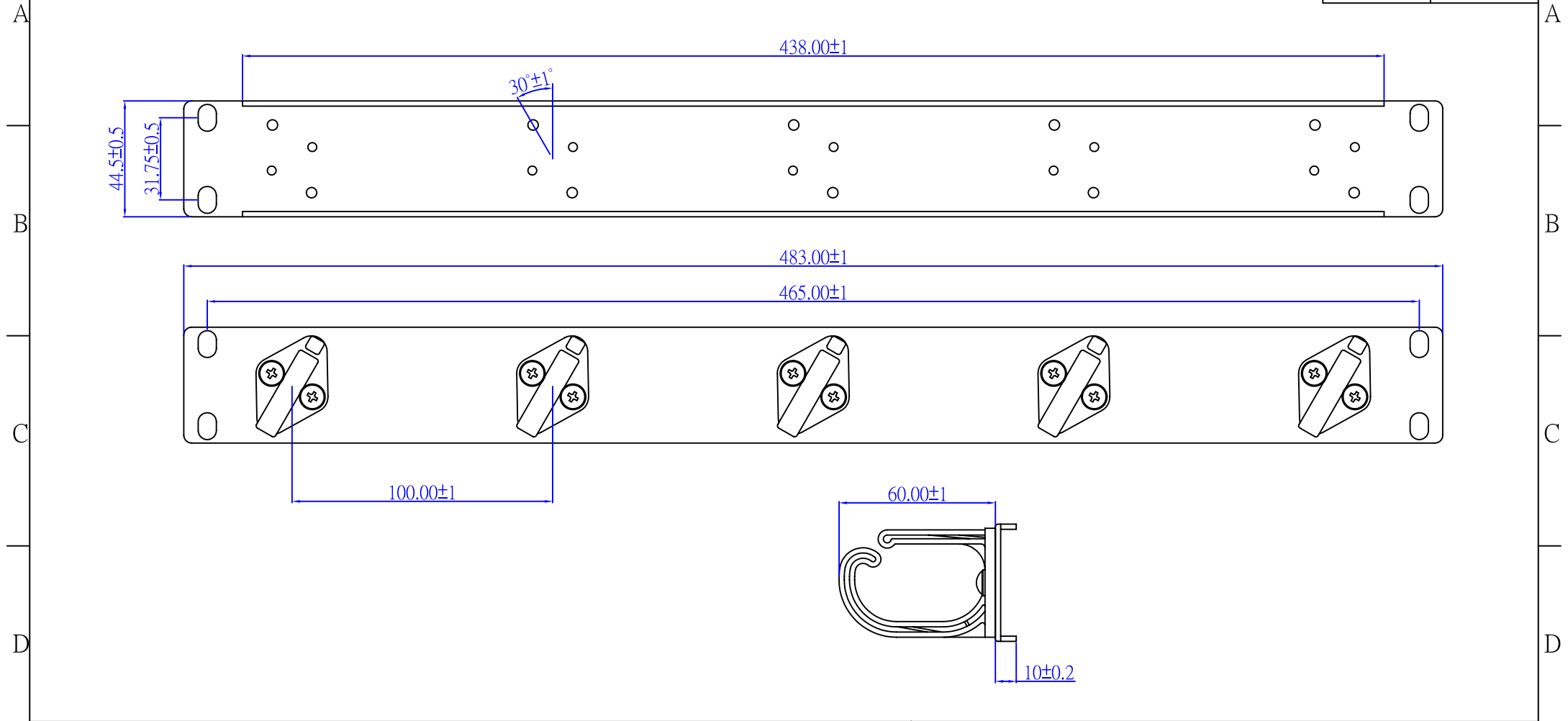


ROHS Compliant

Date	2010/12/10
Revision	A



MATERIAL	
PANEL	1U Wire management 2.0T Iron covered with roasted paint, BLACK
LINK	Cable wire management ring ABS, BLACK
SCREW	4x8, BLACK

P/NO. SY-507-S	
TITLE.Cable management	CO. SY
FLIE. SY-507-S	
DR. Breaker2010/12/10	APPD.



Shiunn Yang Ent.Co.Ltd.  
 TEL: 29089890 <REP>  
 FAX: 29068849,29088679

SCALE 1/1	
UNIT mm	SIZE A4
SHEET	REV.