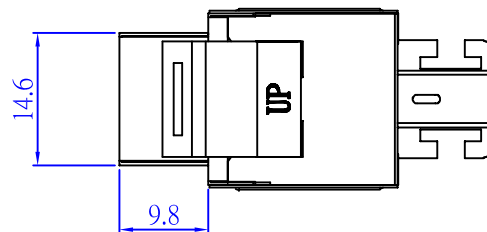
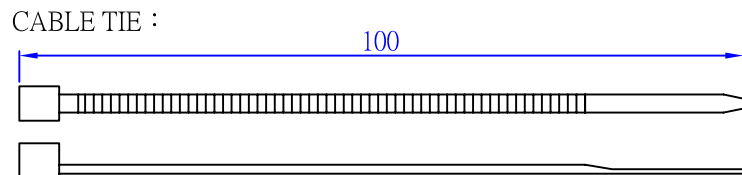
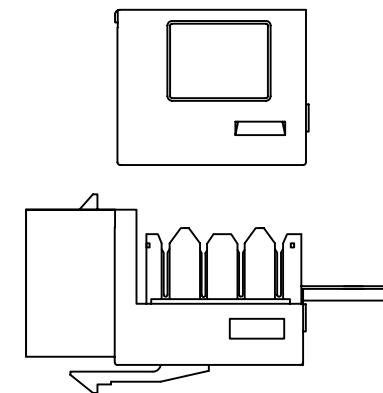
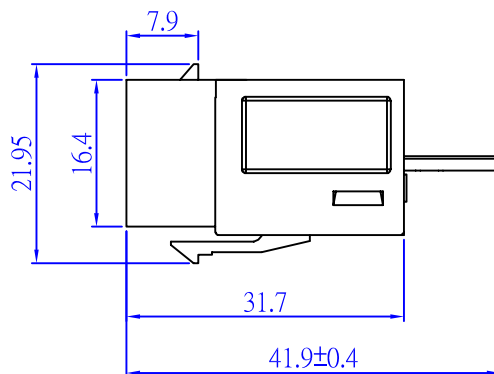
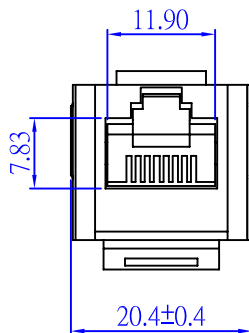


ROHS Compliant

Date	2010/12/16
Revision	C

- Features :
- T-568A/B Dual wiring
 - RJ45 complies with FCC part 68 standard
 - 110/Krone dual IDC connector compatible
 - Provides termination for 22-26 AWG wire
 - Jack insertion life >750 mating cycles
 - IDC insertion life >250 mating cycles
 - Operating temperature : -40°C~+60°C

- Electrical :
- Contact resistance : 20m ohm
 - DC Current rating : 1.5Amps
 - DC resistance : Max. 0.1 ohm
 - Insulation Resistance : 500m ohm
 - Dielectric withstanding voltage : 1000V



TOLERANCE	
.XXXX	----
.XXX	0.10
.XX	0.25
.X	0.38

TECHNICAL DATA

CATEGORY	<input checked="" type="checkbox"/> CAT.5E <input type="checkbox"/> CAT.6 <input type="checkbox"/> CAT.3 <input type="checkbox"/> OTHER_____
HOUSING	PC + ABS UL94V-0
CONTACT	0.35 mm DIAMETER PHOSPHOR BRONZE GOLD PLATED OVER NICKEL
GOLD-PLATING	<input type="checkbox"/> 0.0762 um / 3u inch <input type="checkbox"/> 0.15 um / 6u inch <input type="checkbox"/> 0.38 um / 15u inch <input type="checkbox"/> 0.76 um / 30u inch <input checked="" type="checkbox"/> 1.27 um / 50u inch
COLOR	<input type="checkbox"/> WHITE <input type="checkbox"/> BLACK <input type="checkbox"/> GREEN <input type="checkbox"/> BLUE <input type="checkbox"/> YELLOW <input type="checkbox"/> RED <input type="checkbox"/> ORANGE <input type="checkbox"/> IVORY <input type="checkbox"/> OTHER_____
TYPE OF PRODUCT	<input type="checkbox"/> UNSHIELD <input checked="" type="checkbox"/> SHIELD : 0.25mm THICKNESS COPPER ALLOY WITH NICKLE PLATED

P/NO. SY-505S

ITEM. Keystone Jack	CO. SY	S/N. SY-505S
DR. Breaker2009/05/20	APPD.	CHKD.



Shium Yang Ent.Co.Ltd.
 TEL: 29089890 <REP>
 FAX: 29068849,29088679

FILE. SY-505S
SCALE /
UNIT mm SIZE A4

REV.	DESCRIPTION	ENG.	APPROVAL
------	-------------	------	----------