

ROHS Compliant

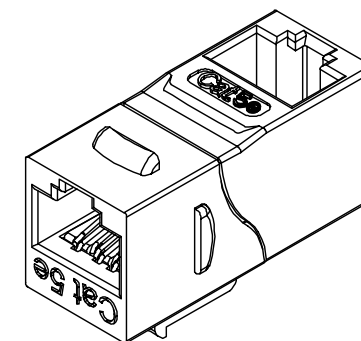
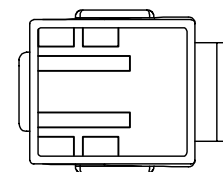
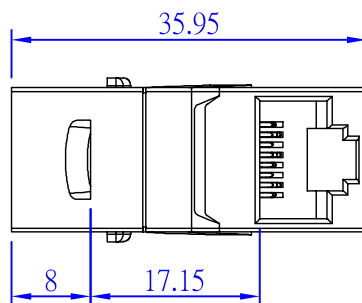
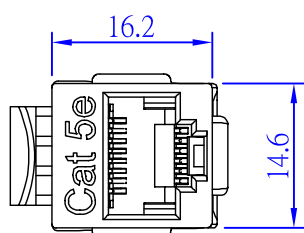
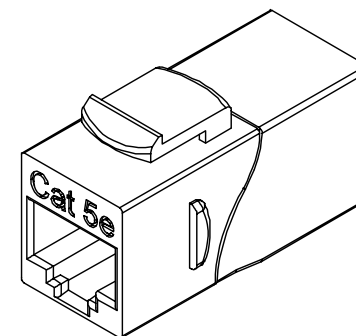
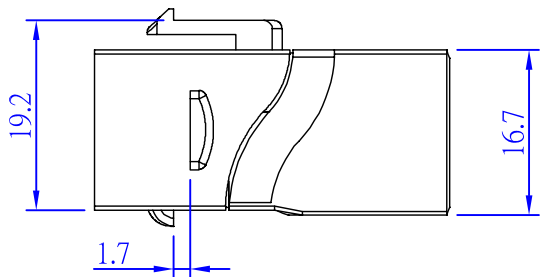
Date	2010/01/07
Revision	A

Features :

- RJ45 complies with FCC part 68 standard
- Jack insertion life >750 mating cycles
- Operating temperature : -40°C~+60°C

Electrical :

- Contact resistance : 20m ohm
- DC Current rating : 1.5Amps
- DC resistance : Max. 0.1 ohm
- Insulation Resistance : 500m ohm
- Dielectric withstanding voltage : 1000V



TOLERANCE	
.XXXX	----
.XXX	0.10
.XX	0.25
.X	0.38

TECHNICAL DATA

CATEGORY	<input checked="" type="checkbox"/> CAT.5E <input type="checkbox"/> CAT.6 <input type="checkbox"/> CAT.3 <input type="checkbox"/> OTHER _____
HOUSING	ABS + PC UL94V-0
SPRING WIRE	PHOSPHOR BRONZE 3u" AU / 30u" PdNi over 60u" Nickel undercoat
COLOR	<input checked="" type="checkbox"/> WHITE <input type="checkbox"/> BLACK <input type="checkbox"/> GREEN <input type="checkbox"/> BLUE <input type="checkbox"/> YELLOW <input type="checkbox"/> RED <input type="checkbox"/> ORANGE <input type="checkbox"/> IVORY <input type="checkbox"/> OTHER _____
TYPE OF PRODUCT	<input checked="" type="checkbox"/> UNSHIELD <input type="checkbox"/> SHIELD : 0.25mm THICKNESS COPPER ALLOY WITH NICKLE PLATED

P/NO. SY-350R8-C5E

ITEM. Keystone Jack	CO. SY	S/N. SY-350R8-C5E
DR. Breaker2010/01/07	APPD.	CHKD.



Shiunn Yang Ent.Co.Ltd.
TEL: 29089890 <REP>
FAX: 29068849,29088679

FILE. SY-350R8-C5E	
SCALE /	
UNIT mm	SIZE A4