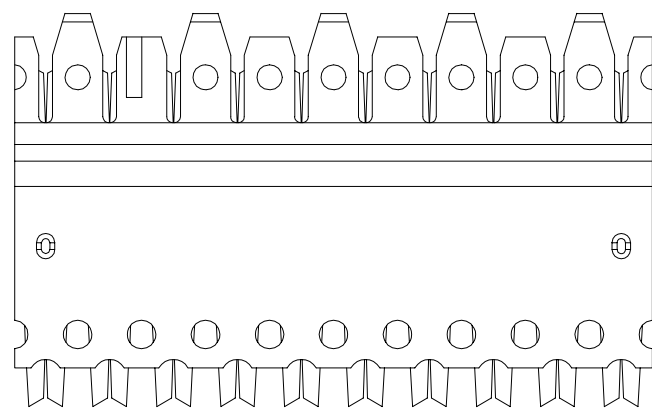
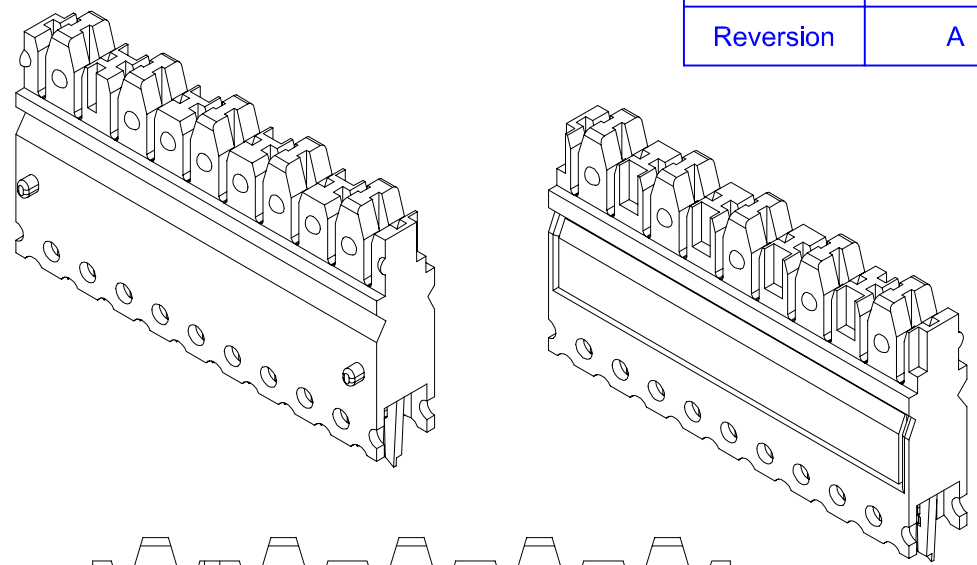
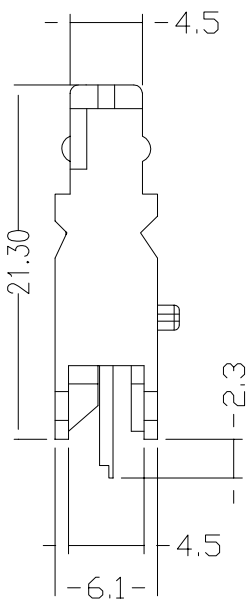
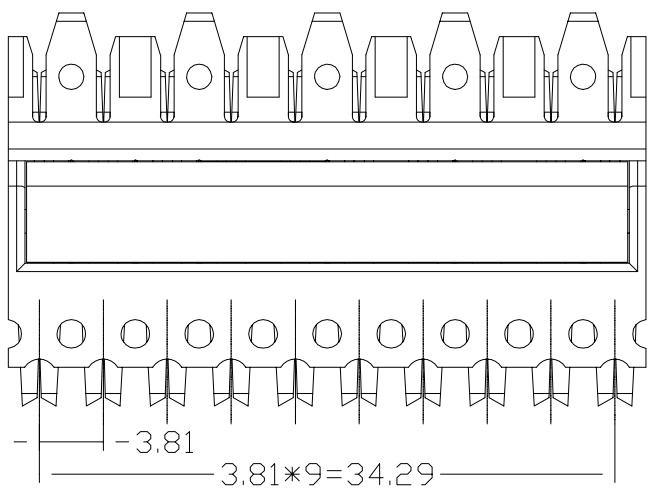
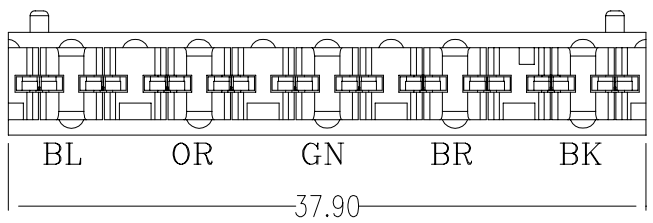


Date	2006/01/17
Reversion	A



## P/NO. SY-110-5C

MATERIAL		DIMENSION	
IDC Body:	Polycarbonate(PC)	L<=3	±0.1
Contact:	Phospher Bronze with 200U Sn plating	3<L<=6	±0.1
Conductor diameter:	AWG 26~22	6<L<=16	±0.15
External diameter:	0.7~1.1mm	16<L<=30	±0.2
Operating Temperature:	-40°C~+65°C	30<L<=120	±0.3
		120<L<=315	±1
		TOLERANCE	

ITEM. 110 System Product	CO. SY	FILE. SY-110-5C
DR. Rita 2006/01/17	APPD.	CHKD.



Shiunn Yang Ent.Co.Ltd.  
 TEL: 29089890 <REP>  
 FAX: 29068849,29088679

SCALE /	
UNIT mm	SIZE A4
SHEET	REV.

REV.	DESCRIPTION	ENG.	APPROVAL
------	-------------	------	----------