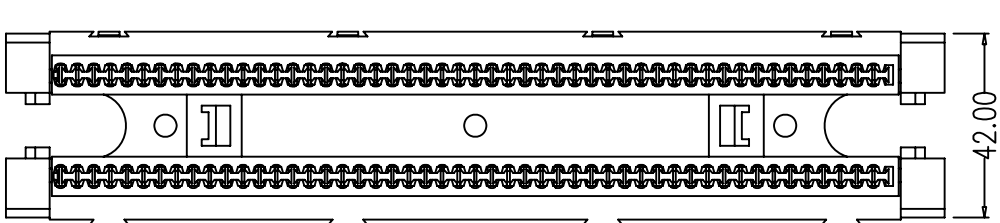


Date	2007/02/15
Revision	A

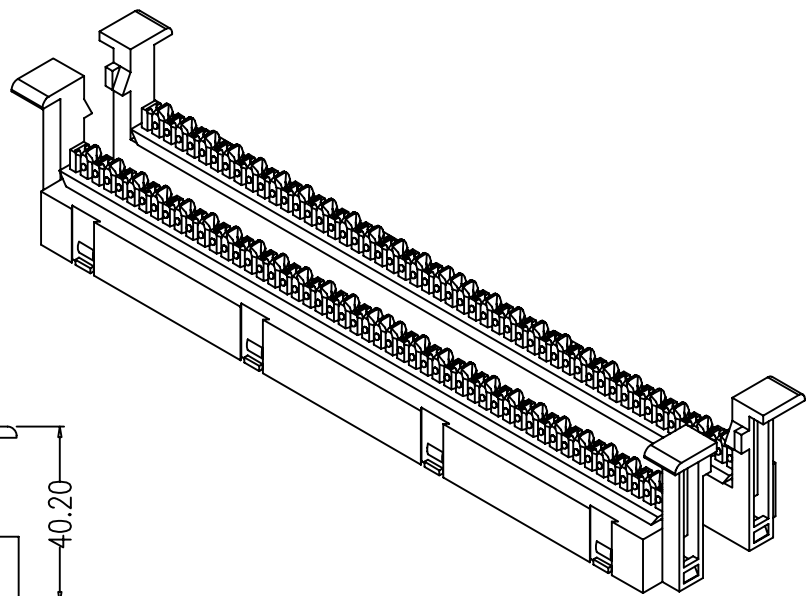
A

A



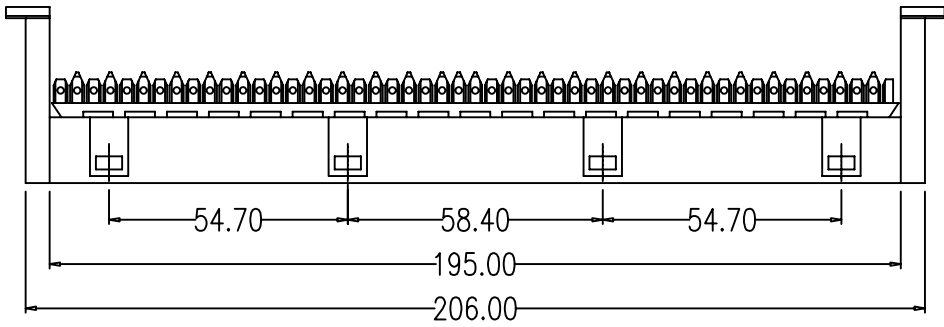
B

B



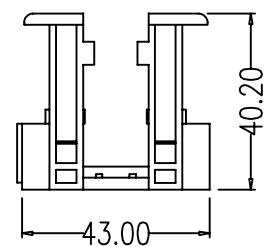
C

C




D

D



## P/NO. SY-110-50WL

MATERIAL		TOLERANCE	
PLASTIC	PC UL94V-0	.XXXX	---
Temperature	-40°C~68°C	.XXX	0.10
Humidity	10%~90%RH	.XX	0.25
ENCLOSURE	ID LABEL HOLDER X 1 PCS	.X	0.38
	ID LABEL X 1PCS		

ITEM.110 System Solution	CO. SY	FILE. SY-110-50WL	
DR. Pagi2007/02/15	APPD.	CHKD.	
 Shiunn Yang Ent.Co.Ltd. TEL: 29089890 <REP> FAX: 29068849,29088679	SCALE /		
	UNIT mm	SIZE A4	
	SHEET	REV.	

E

E

REV.	DESCRIPTION	ENG.	APPROVAL
1	2	3	4