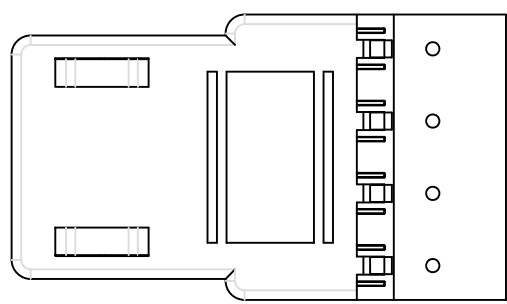
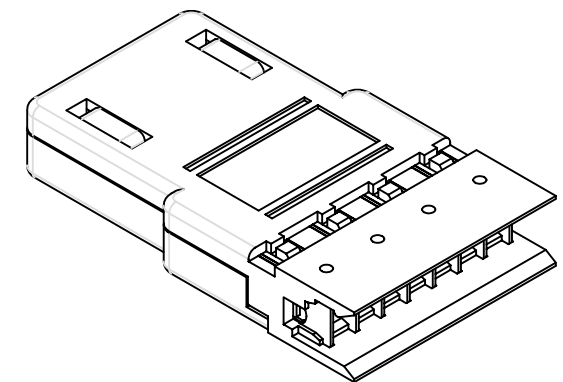
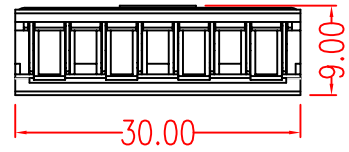
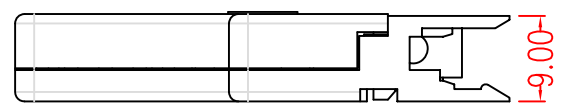
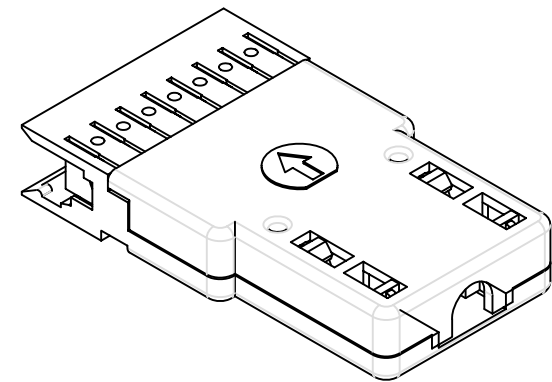
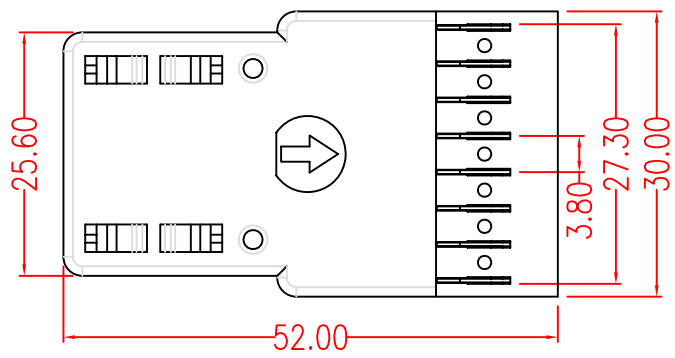


Date	2007/02/15
Reversion	A



P/NO. SY-110-4P

MATERIAL		DIMENSION	
PLASITC	PC UL94V-0	L<=3	±0.1
Contact:	Phospher Bronze C5191R-H	3<L<=6	±0.1
Plating:	Ni 40U" min	6<L<=16	±0.15
Partially:	Au 2U" min	16<L<=30	±0.2
Temperature:	-40°C~68°C	30<L<=120	±0.3
Humidity:	10%~90% RH	120<L<=315	±0.5
		TOLERANCE	

ITEM. 110 System Product	CO. SY	FILE. SY-110-4P
DR. Pagi2007/02/15	APPD.	CHKD.



Shiunn Yang Ent.Co.Ltd.
 TEL: 29089890 <REP>
 FAX: 29068849,29088679

SCALE	/	
UNIT	mm	SIZE A4
SHEET		REV.

REV.	DESCRIPTION	ENG.	APPROVAL
------	-------------	------	----------