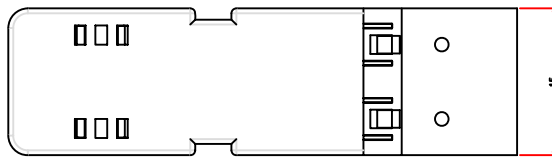
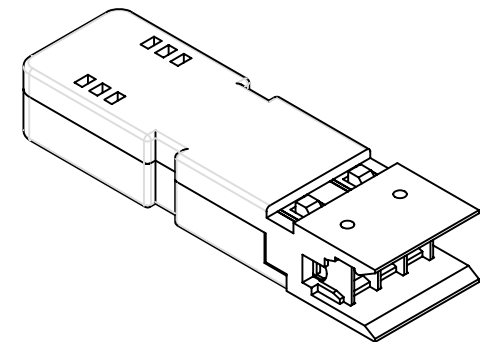
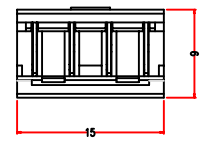
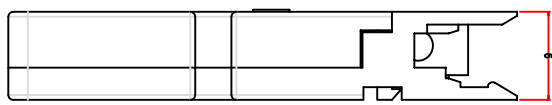
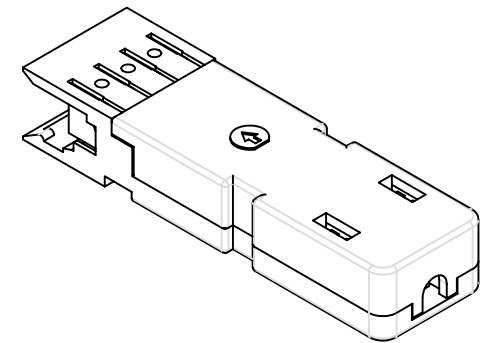
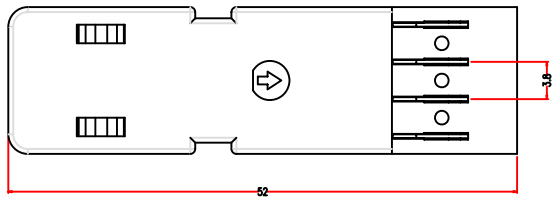
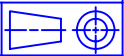


Date	2007/02/15
Revision	A



P/NO.SY-110-2P

MATERIALS:		TOLERANCE	
PLASTIC	PC UL94V-0	.XXXX	---
CONTACT	PHOSPHOR BRONZE C5191R-H	.XXX	0.10
PLATING	NI40 u"min,PARTIALLY:AU2u"Min	.XX	0.25
TEMPERATURE	-40°C~70°C	.X	0.38
HUMIDITY	10%~90%RH		
REV.	DESCRIPTION	ENG.	APPROVAL

ITEM MODULAR PCB JACK	CO. SY	FILE.SY-110-2P
DR.Pagi2007/02/15	APPD.	CHKD.
 Shiunn Yang Ent.Co.Ltd. TEL: 29089890 <REP> FAX: 29068849,29088679	SCALE /	
	UNIT mm	SIZE A4
	SHEET	REV.