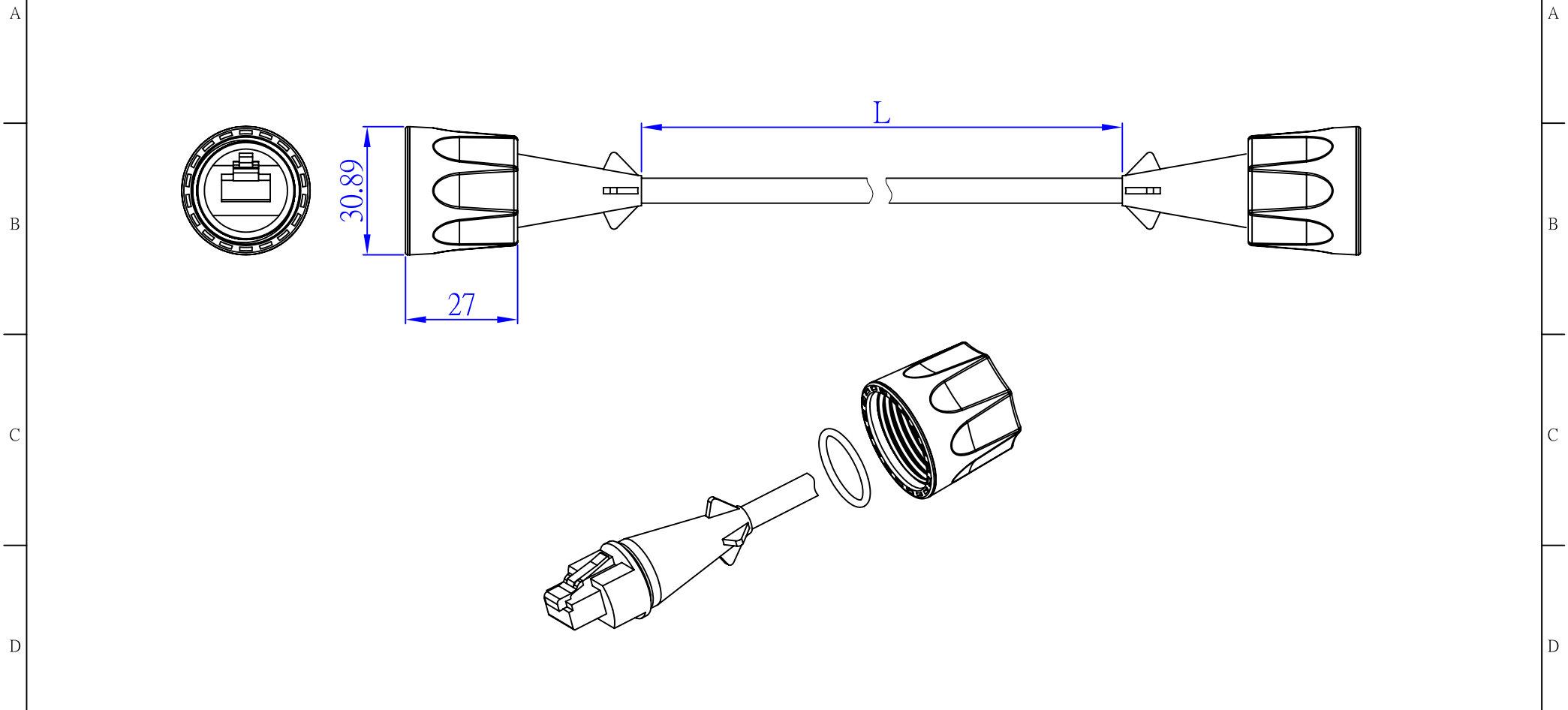

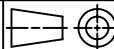


ROHS Compliant

Date	2010/01/13
Revision	A



MATERIAL		P/NO. SPC6-x-BK-WP		
CATEGORY	<input type="checkbox"/> CAT.5E <input checked="" type="checkbox"/> CAT.6 <input type="checkbox"/> CAT.3 <input type="checkbox"/> OTHER _____	ITEM	CO.	S/N. SPC6-x-BK-WP
HOUSING	PC UL94V-0	DR. Breaker2010/01/13	APPD.	CHKD.
CONTACT	0.46 mm DIAMETER PHOSPHOR BRONZE GOLD PLATED OVER NICKEL	 Shiunn Yang Ent.Co.Ltd. TEL: 29089890 <REP> FAX: 29068849,29088679		
GOLD-PLATING	<input type="checkbox"/> 0.0762 um / 3u inch <input type="checkbox"/> 0.15 um / 6u inch <input type="checkbox"/> 0.38 um / 15u inch <input type="checkbox"/> 0.76 um / 30u inch <input checked="" type="checkbox"/> 1.27 um / 50u inch			
COLOR	<input type="checkbox"/> WHITE <input checked="" type="checkbox"/> BLACK <input type="checkbox"/> GREEN <input type="checkbox"/> BLUE <input type="checkbox"/> YELLOW <input type="checkbox"/> RED <input type="checkbox"/> ORANGE <input type="checkbox"/> IVORY <input type="checkbox"/> OTHER _____			
TYPE OF PRODUCT	<input type="checkbox"/> UNSHIELD <input checked="" type="checkbox"/> SHIELD : 0.25mm THICKNESS COPPER ALLOY WITH NICKLE PLATED			
		FILE. SPC6-x-BK-WP	SCALE / 	
		UNIT mm	SIZE A4	