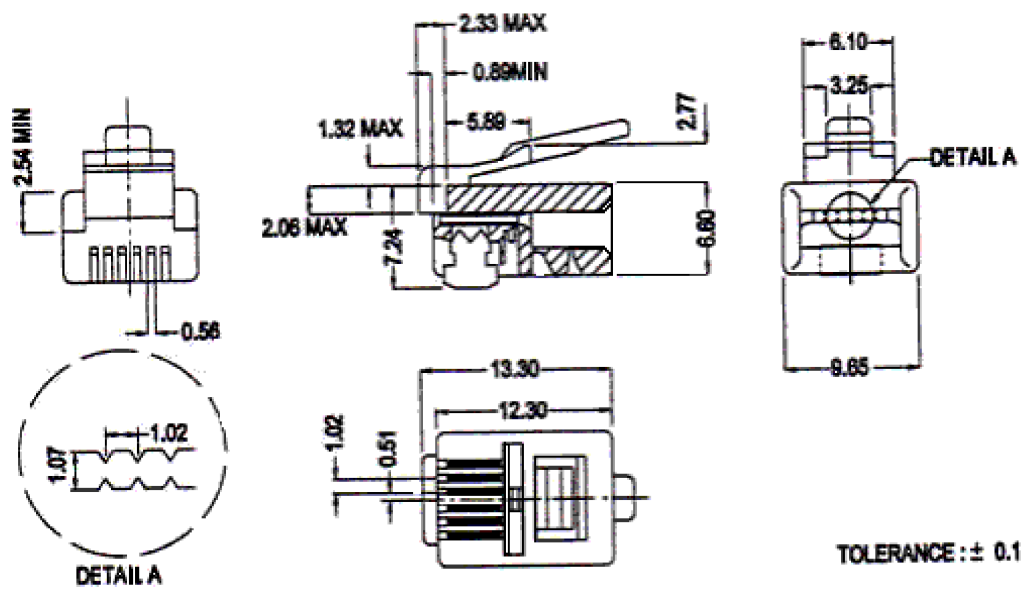
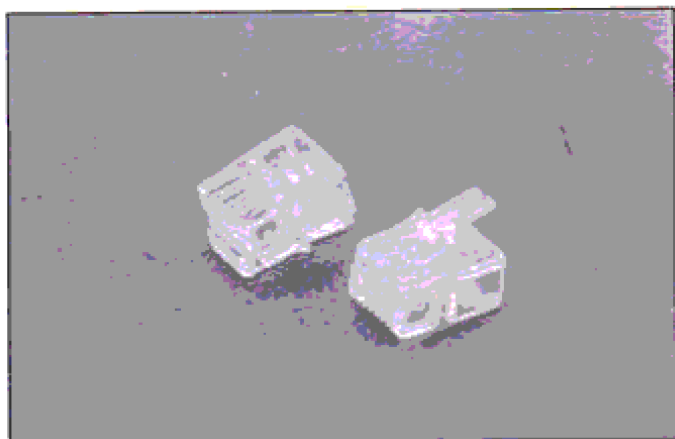



MP6P6C



SPECIFICATIONS			
HOUSING	<input type="checkbox"/> PC UL94V-0 <input type="checkbox"/> PC UL94V-2	TYPE OF PLUG	<input type="checkbox"/> SHIELD <input type="checkbox"/> UNSHIELD
CONTACT	PHOSPHOR BRONZE FINE GOLD PLATED OVER NICKEL	COLD-PLATING	<input type="checkbox"/> GOLD FLASH <input type="checkbox"/> 0.38U M/15U"MINIMUM <input type="checkbox"/> 0.76U M/30U"MINIMUM <input type="checkbox"/> 1.27U M/50U"MINIMUM
REV.	DESCRIPTION	ENG.	APPROVAL

TITLE	MODULAR PLUG	CO.	MP6P6C	CLIE.	
DR.		APPD.		CHKD.	
 Shiunn Yang Ent.Co.Ltd. TEL: 29089890 <REP> FAX: 29068849,29088679				SCALE /	
				UNIT mm	SIZE A4
				SHEET	REV.

1 2 3 4 5 6 7

A
B
C
D

A
B
C
D

E

E

1 2 3 4 5 6 7