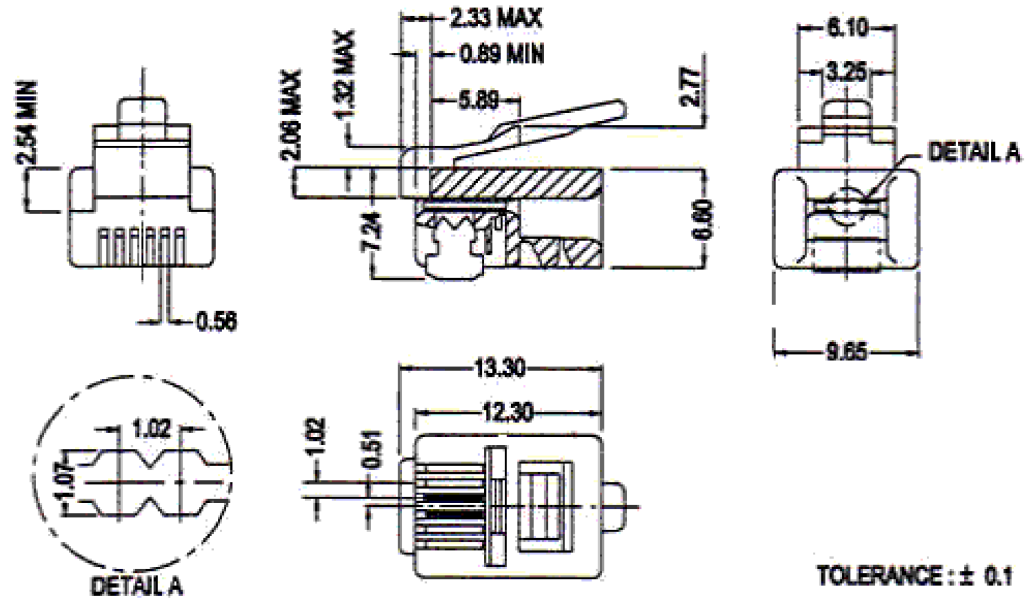
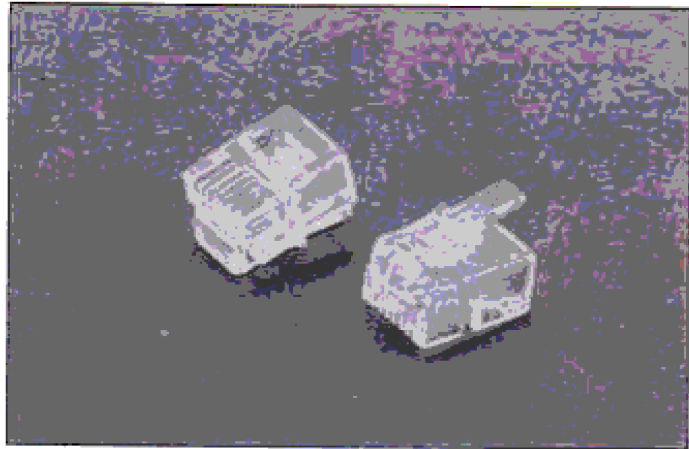




# MP6P2C



SPECIFICATIONS				TITLE	MODULAR PLUG	CO.	MP6P2C	CLIE.
HOUSING	<input type="checkbox"/> PC UL94V-0 <input type="checkbox"/> PC UL94V-2	TYPE OF PLUG	<input type="checkbox"/> SHIELD <input type="checkbox"/> UNSHIELD	DR.		APPD.		CHKD.
CONTACT	PHOSPHOR BRONZE FINE GOLD PLATED OVER NICKEL	COLD-PLATING	<input type="checkbox"/> GOLD FLASH <input type="checkbox"/> 0.38U M/15U"MINIMUM <input type="checkbox"/> 0.76U M/30U"MINIMUM <input type="checkbox"/> 1.27U M/50U"MINIMUM	 Shiunn Yang Ent.Co.Ltd. TEL: 29089890 <REP> FAX: 29068849,29088679		SCALE	/	
REV.	DESCRIPTION	ENG.	APPROVAL			UNIT	mm	SIZE
				SHEET		REV.		

1

2

3

4

5

6

7