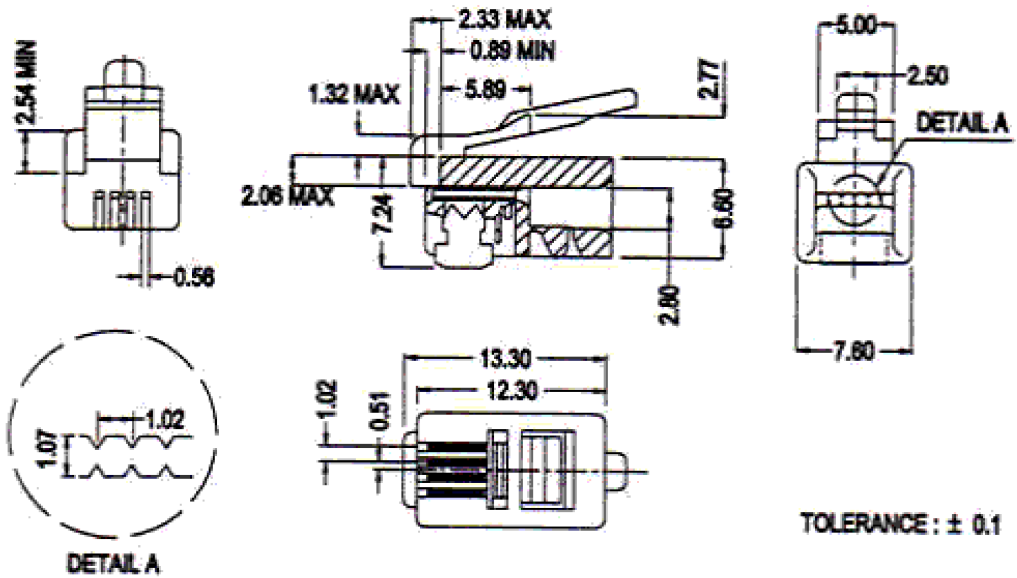
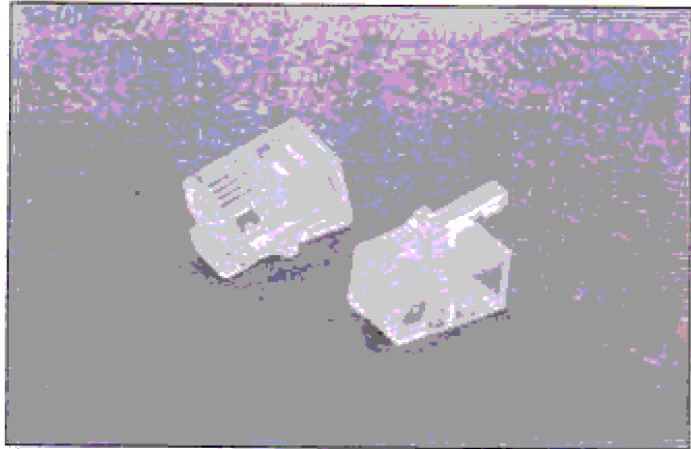


MH4P4C



SPECIFICATIONS

HOUSING	<input type="checkbox"/> PC UL94V-0 <input type="checkbox"/> PC UL94V-2	TYPE OF PLUG	<input type="checkbox"/> SHIELD <input type="checkbox"/> UNSHIELD
CONTACT	PHOSPHOR BRONZE FINE GOLD PLATED OVER NICKEL	COLD-PLATING	<input type="checkbox"/> GOLD FLASH <input type="checkbox"/> 0.38U M/15U*MINIMUM <input type="checkbox"/> 0.76U M/30U*MINIMUM <input type="checkbox"/> 1.27U M/50U*MINIMUM

TITLE	MODULAR PLUG	CO.	MH4P4C	CLIE.			
DR.		APPD.		CHKD.			
 Shiunn Yang Ent.Co.Ltd. TEL: 29089890 <REP> FAX: 29068849,29088679				SCALE /			
				UNIT	mm	SIZE	A4
				SHEET		REV.	

REV.	DESCRIPTION	ENG.	APPROVAL
------	-------------	------	----------