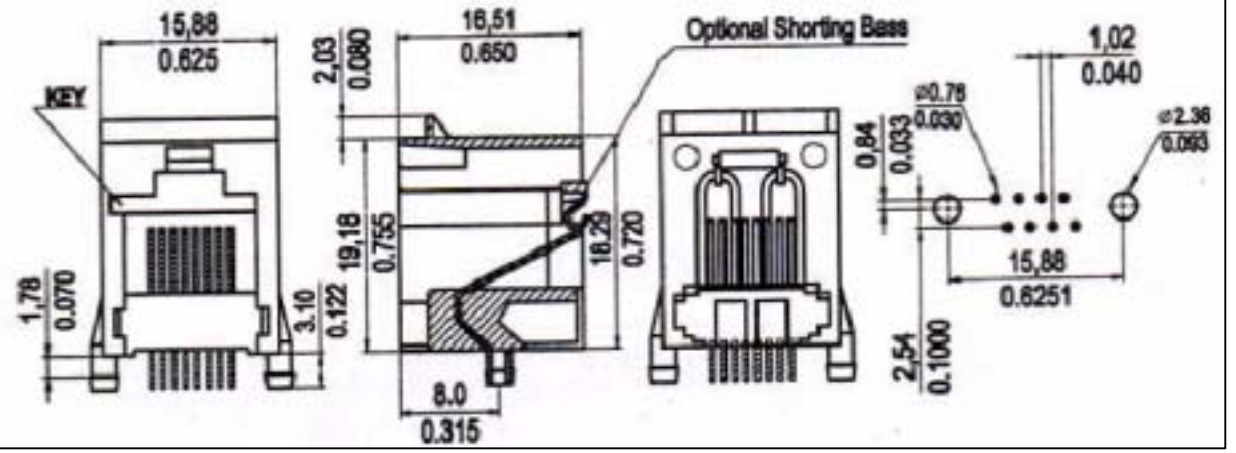
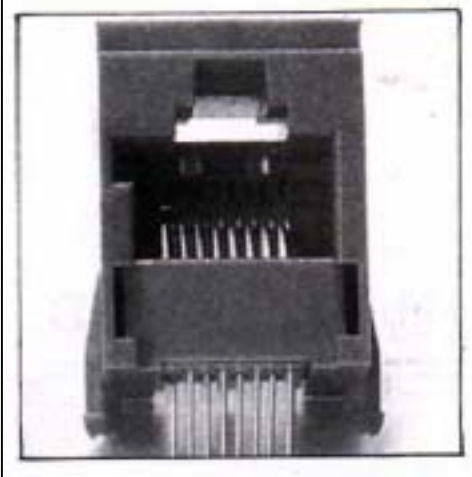


Date	2007/01/04
Revision	A

# 641PCB



TOLERANCE	
.XXXX	----
.XXX	0.10
.XX	0.25
.X	0.38

## P/NO. 641PCB

TECHNICAL DATA			
HOUSING	STANDARD MATERIAL ABS RESIN UL94V-0 ABS RESIN	COLOR	GRAY
CONTACT	0.46 DIAMETER PHOSPHOR BRONZE GOLD PLATED OVER NICKEL		
GOLD-PLATING	<input type="checkbox"/> 0.0762 um / 3u inch <input checked="" type="checkbox"/> 0.15 um / 6u inch <input type="checkbox"/> 0.38 um / 15u inch <input type="checkbox"/> 0.76 um / 30u inch <input type="checkbox"/> 1.27 um / 50u inch		
With Shorting Bar (1.4.5.8 Pin)			
REV.	DESCRIPTION	ENG.	APPROVAL

ITEM MODULAR PCB JACK	CO. SY	FILE 641PCB
DR. Pagi2007/01/04	APPD.	CHKD.
 Shiunn Yang Ent.Co.Ltd. TEL: 29089890 <REP> FAX: 29068849,29088679	SCALE /	
	UNIT mm	SIZE A4
	SHEET	REV.