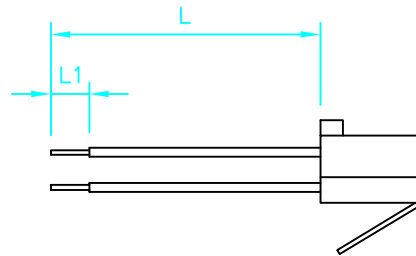
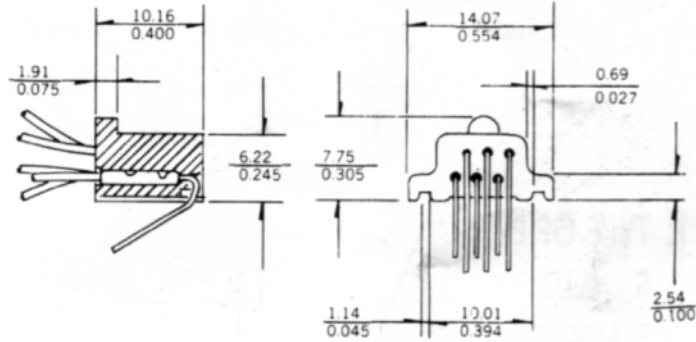
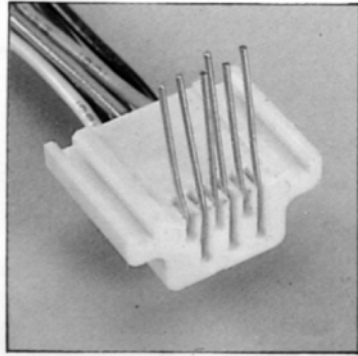




625F Insert



MATERIAL			
HOUSING	Standard - ABS Resin UL94V0	COLOR	<input type="checkbox"/> BLACK <input type="checkbox"/> IVORY <input type="checkbox"/> GRAY
CONTACT	0.46 mm Dia. Phosphor Bronze, Gold plating over Nickel	L	
OPTIONAL	<input type="checkbox"/> 6u inch, <input type="checkbox"/> 15u inch, <input type="checkbox"/> 30u inch, <input type="checkbox"/> 50u inch	L1	
WIRE	UL-1061 E41396 AWM80°C VW-1 300V 26AWG, PVC Insulation		
REV.	DESCRIPTION	ENG.	APPROVAL

TITLE WIRING INSERTS	CO.	CLIE. 625F
DR.	APPD.	CHKD.
 Shiunn Yang Ent.Co.Ltd. TEL: 29089890 <REP> FAX: 29068849,29088679	SCALE /	
	UNIT mm	SIZE A4
	SHEET	REV.