

1 2 3 4 5 6 7

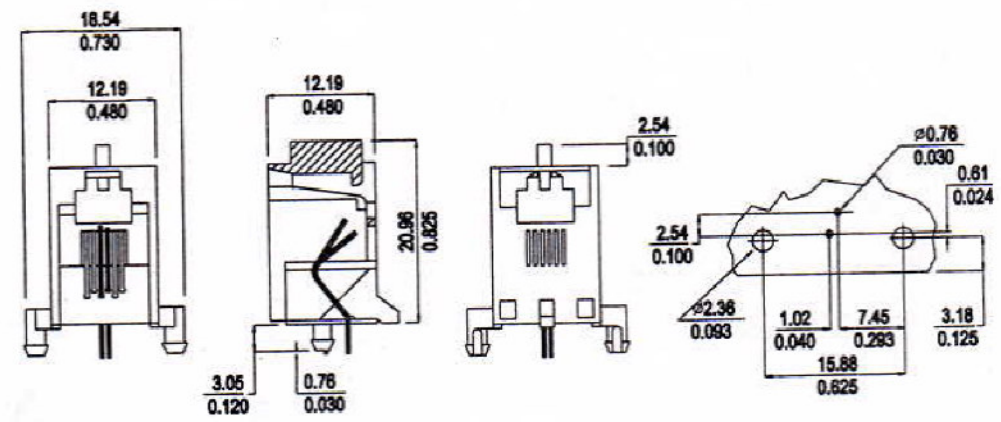
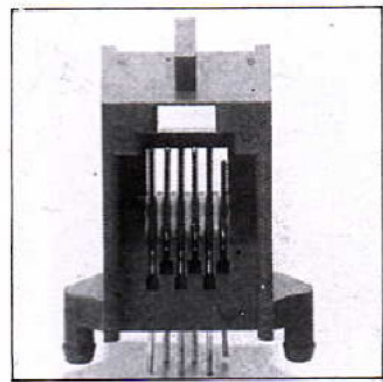
A

B

C

D

623PCB



TECHNICAL DATA

HOUSING	STANDARD MATERIAL ABS RESIN UL 94V-0 ABS RESIN STANDARD COLOUR: MEDIUM GRAY, BLACK	COLD-PLATING	1. 0.38 um/ 15u inch 2. 0.76 um/ 30u inch 3. 1.27 um/ 50u inch
CONTACT	0.46 DIAMETER PHOSPHOR BRONZE GOLD PLATED OVER NICKEL		

TITLE MODULAR PCB JACK	CO. 623PCB	CLIE.
------------------------	------------	-------

DR.	APPD.	CHKD.
-----	-------	-------



Shiunn Yang Ent.Co.Ltd.
TEL: 29089890 <REP>
FAX: 29068849,29088679

SCALE /	
UNIT mm	SIZE A4
SHEET	REV.

REV.	DESCRIPTION	ENG.	APPROVAL
------	-------------	------	----------

1 2 3 4 5 6 7

A

B

C

D

E