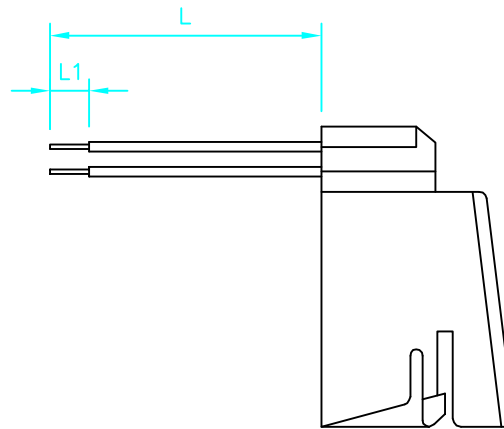
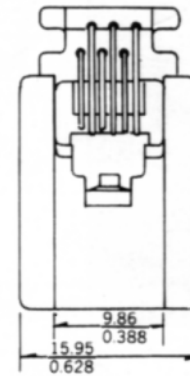
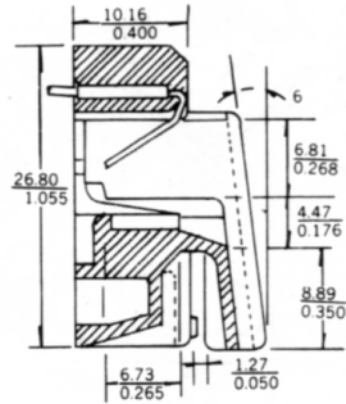
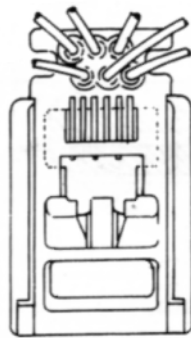
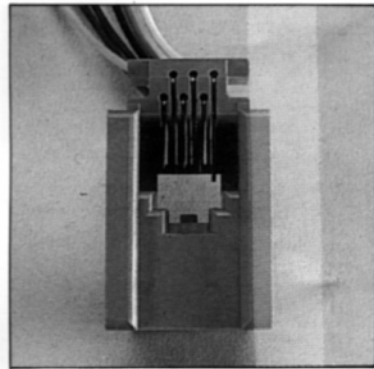


623D



MATERIAL

HOUSING	Standard - ABS Resin UL94V0	COLOR	<input type="checkbox"/> BLACK <input type="checkbox"/> IVORY <input type="checkbox"/> GRAY
CONTACT	0.46 mm Dia. Phosphor Bronze, Gold plating over Nickel	L	
OPTIONAL	<input type="checkbox"/> 6u inch, <input type="checkbox"/> 15u inch, <input type="checkbox"/> 30u inch, <input type="checkbox"/> 50u inch	L1	
WIRE	UL-1061 E41396 AWM80°C VW-1 300V 26AWG, PVC Insulation		

TITLE	WIRING JACK	CO.	CLIE. 623D
DR.		APPD.	CHKD.



Shiunn Yang Ent.Co.Ltd.
 TEL: 29089890 <REP>
 FAX: 29068849,29088679

SCALE	/	
UNIT	mm	SIZE A4
SHEET		REV.

REV.	DESCRIPTION	ENG.	APPROVAL
------	-------------	------	----------