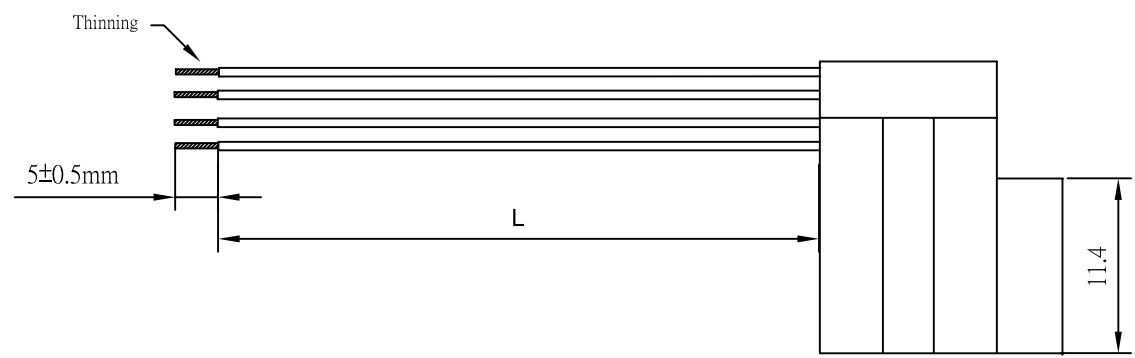
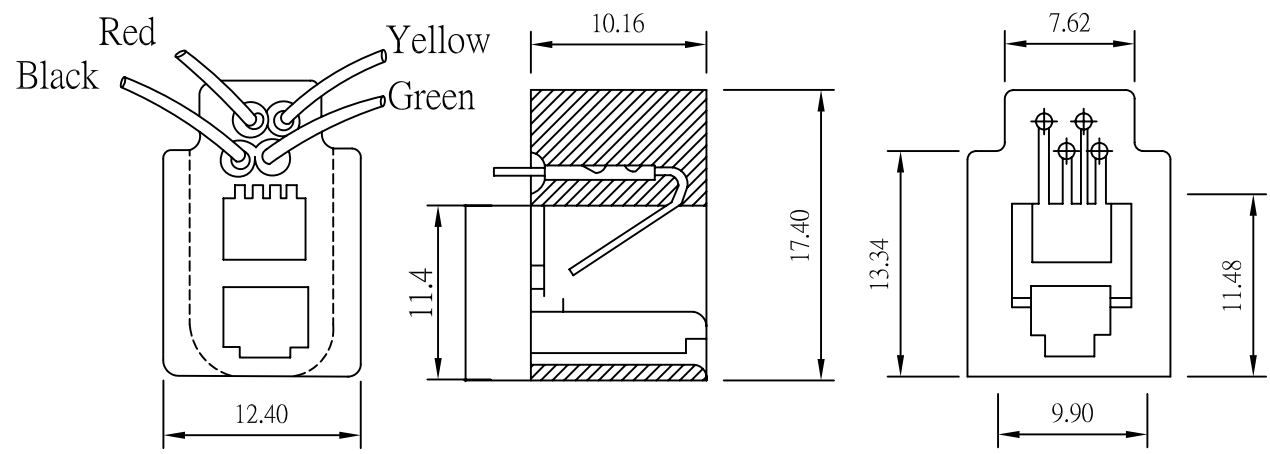


Date	2007/05/09
Revision	A



TOLERANCE	
.XXXX	----
.XXX	0.10
.XX	0.25
.X	0.38

P/NO.616M

TECHNICAL DATA			
HOUSING	STANDARD MATERIAL 15% GLASS FILLED PBT <input type="checkbox"/> UL94V-0 <input type="checkbox"/> UL94V-2	COLOR	<input type="checkbox"/> GRAY <input type="checkbox"/> BLACK
CONTACT	0.46 DIAMETER PHOSPHOR BRONZE GOLD PLATED OVER NICKEL		
GOLD-PLATING	<input type="checkbox"/> 0.0762 um / 3u inch <input type="checkbox"/> 0.15 um / 6u inch <input type="checkbox"/> 0.38 um / 15u inch <input type="checkbox"/> 0.76 um / 30u inch <input type="checkbox"/> 1.27 um / 50u inch		

ITEM.Modular Wiring Jack	CO. SY	FILE.616M
DR. Pagi2007/05/09	APPD.	CHKD.



Shiunn Yang Ent.Co.Ltd.  
TEL: 29089890 <REP>  
FAX: 29068849,29088679

SCALE /	
UNIT mm	SIZE A4
SHEET	REV.

REV.	DESCRIPTION	ENG.	APPROVAL
1	2	3	4