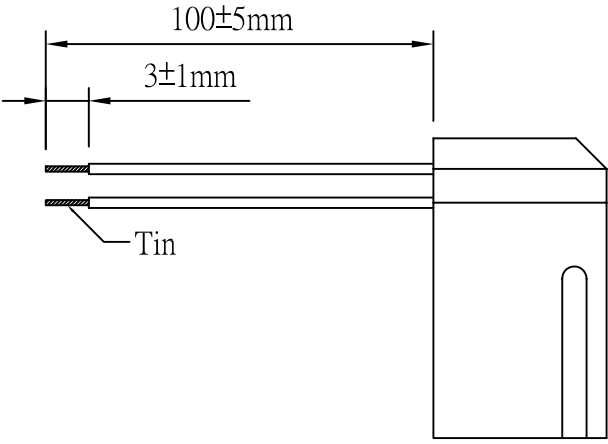
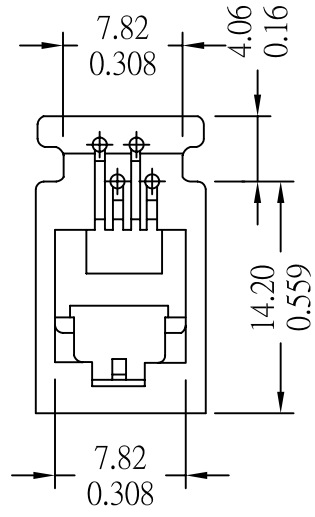
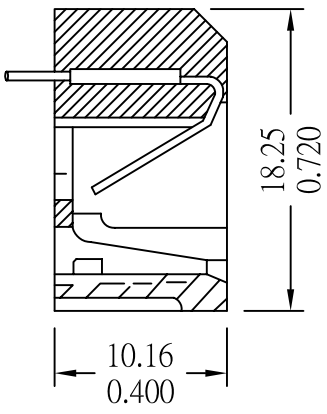
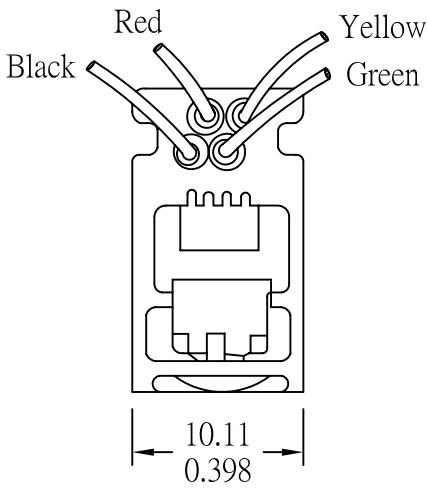


1 2 3 4 5 6 7

Date	2005/01/17
Revision	A



TOLERANCE	
.XXXX	----
.XXX	0.10
.XX	0.25
.X	0.38

P/NO. 616L

MATERIAL			
HOUSING	Standard - ABS Resin <input type="checkbox"/> UL94V0 <input type="checkbox"/> UL94V2	COLOR	<input type="checkbox"/> BLACK <input type="checkbox"/> IVORY <input type="checkbox"/> GRAY
CONTACT	0.46 mm Dia. Phosphor Bronze, Gold plating over Nickel	WIRE LEAD END STYLES	<input type="checkbox"/> STRIPED + TINED
OPTIONAL	<input type="checkbox"/> 6u inch <input type="checkbox"/> 15u inch <input type="checkbox"/> 30u inch <input type="checkbox"/> 50u inch		<input type="checkbox"/> BLUNT CUT
WIRE	UL-1061 E41396 AWM80°C VW-1 300V 26AWG, PVC Insulation		<input type="checkbox"/> Other:

ITEM. WIRING JACK	CO. SY	FILE. 616L
DR. Hansum2005/01/17	APPD.	CHKD.



Shiunn Yang Ent.Co.Ltd.
 TEL: 29089890 <REP>
 FAX: 29068849,29088679

SCALE	/	
UNIT	mm	SIZE A4
SHEET		REV.

REV.	DESCRIPTION	ENG.	APPROVAL

1 2 3 4 5 6 7